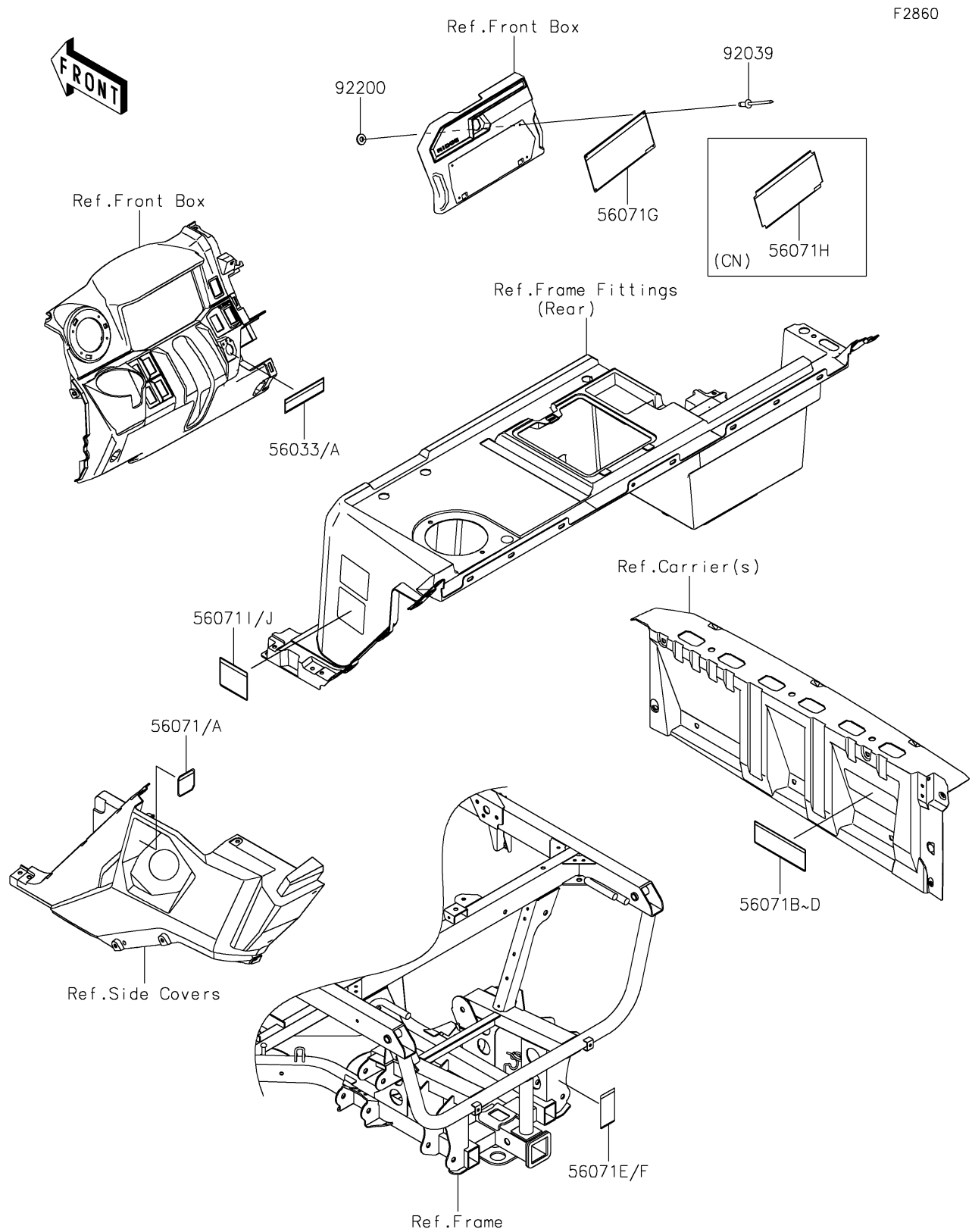


2026 RIDGE CREW Platinum Ranch Edition HVAC

PARTS DIAGRAM

Labels



F2860

2026 RIDGE CREW Platinum Ranch Edition HVAC

PARTS LIST

Labels

ITEM NAME	PART NUMBER	QUANTITY
LABEL-MANUAL,SHIFT NOTICE (Ref # 56033)	56033-0822	1
LABEL-MANUAL,SHIFT NOTICE (Ref # 56033A)	56033-0826	1
LABEL-WARNING,GASOLINE (Ref # 56071)	56071-0588	1
LABEL-WARNING,GASOLINE(FRENCH) (Ref # 56071A)	56071-0593	1
LABEL-WARNING,CARGO CAPA. (Ref # 56071B)	56071-0700	1
LABEL-WARNING,CARGO CAPA. (Ref # 56071C)	56071-0715	1
LABEL-WARNING,CARGO CAPA. (Ref # 56071D)	56071-0716	1
LABEL-WARNING,TRAILER HITCH (Ref # 56071E)	56071-1058	1
LABEL-WARNING,TRAILER HITCH(F) (Ref # 56071F)	56071-1064	1
LABEL-WARNING,GENERAL (Ref # 56071G)	56071-1202	1
LABEL-WARNING,GENERAL(F) (Ref # 56071H)	56071-1205	1
LABEL-WARNING,TIRE INFORMATION (Ref # 56071I)	56071-1385	1
LABEL-WARNING,TIRE INFORMATION (Ref # 56071J)	56071-1387	1
RIVET,3.2X8 (Ref # 92039)	92039-3763	4
WASHER,3.5X8X1 (Ref # 92200)	92200-1251	4