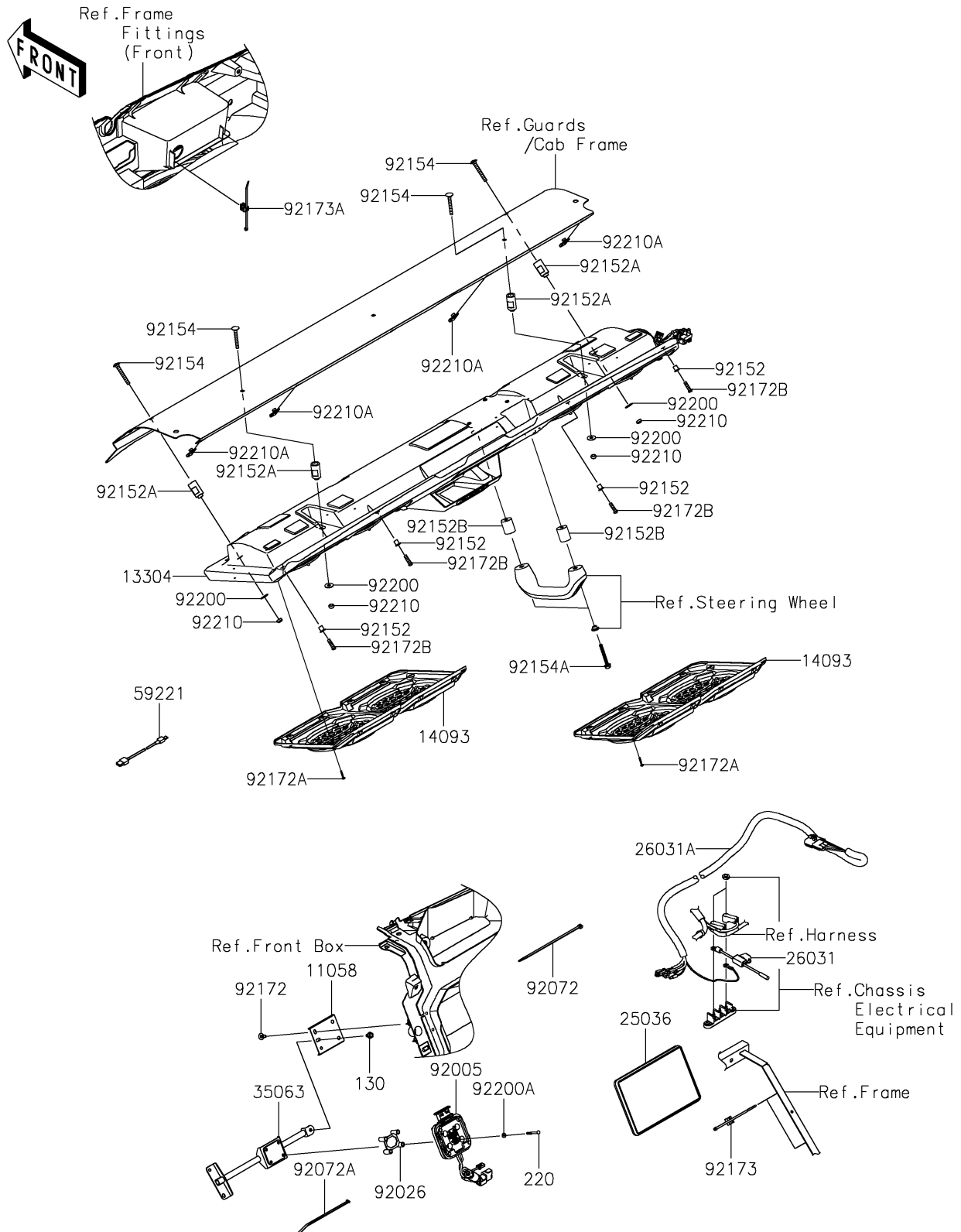


2026 RIDGE CREW Platinum Ranch Edition HVAC

PARTS DIAGRAM

Other(Audio System)(CN)

F2750B



2026 RIDGE CREW Platinum Ranch Edition HVAC



PARTS LIST

Other(Audio System)(CN)

ITEM NAME	PART NUMBER	QUANTITY
BRACKET,INSTRUMENT PANEL (Ref # 11058)	11058-0876	1
HOUSING-ASSY (Ref # 13304)	13304-0013	1
COVER,SPEAKER GRILLE (Ref # 14093)	14093-1502	2
METER-ASSY-MULTI-FUNCTION (Ref # 25036)	25036-0216	1
HARNESS,AUDIO POWER (Ref # 26031)	26031-4077	1
HARNESS,AUDIO A-PILLAR (Ref # 26031A)	26031-4252	1
STAY,DISPLAY (Ref # 35063)	35063-1595	1
CONNECTOR-CORD,USB (Ref # 59221)	59221-0031	1
FITTING,DISPLAY (Ref # 92005)	92005-1460	1
SPACER,DISPLAY (Ref # 92026)	92026-0966	1
BAND (Ref # 92072)	92072-0821	1
BAND,L=292.1 (Ref # 92072A)	92072-3509	1
COLLAR (Ref # 92152)	92152-2995	4
COLLAR (Ref # 92152A)	92152-2996	4
COLLAR (Ref # 92152B)	92152-2998	2
BOLT (Ref # 92154)	92154-7149	4
BOLT (Ref # 92154A)	92154-7150	2
SCREW,6X16 (Ref # 92172)	92172-0284	4
SCREW,SPEAKER (Ref # 92172A)	92172-1353	24
SCREW (Ref # 92172B)	92172-1481	4
CLAMP (Ref # 92173)	92173-2665	2
CLAMP (Ref # 92173A)	92173-2793	2
WASHER (Ref # 92200)	92200-2596	4
WASHER,4X9.5X1.2 (Ref # 92200A)	92200-2711	4
NUT (Ref # 92210)	92210-1953	4
NUT (Ref # 92210A)	92210-1954	4
BOLT-FLANGED,6X10 (Ref # 130)	130BA0610	1
SCREW-PAN-CROS,4X40 (Ref # 220)	220AA0440	4