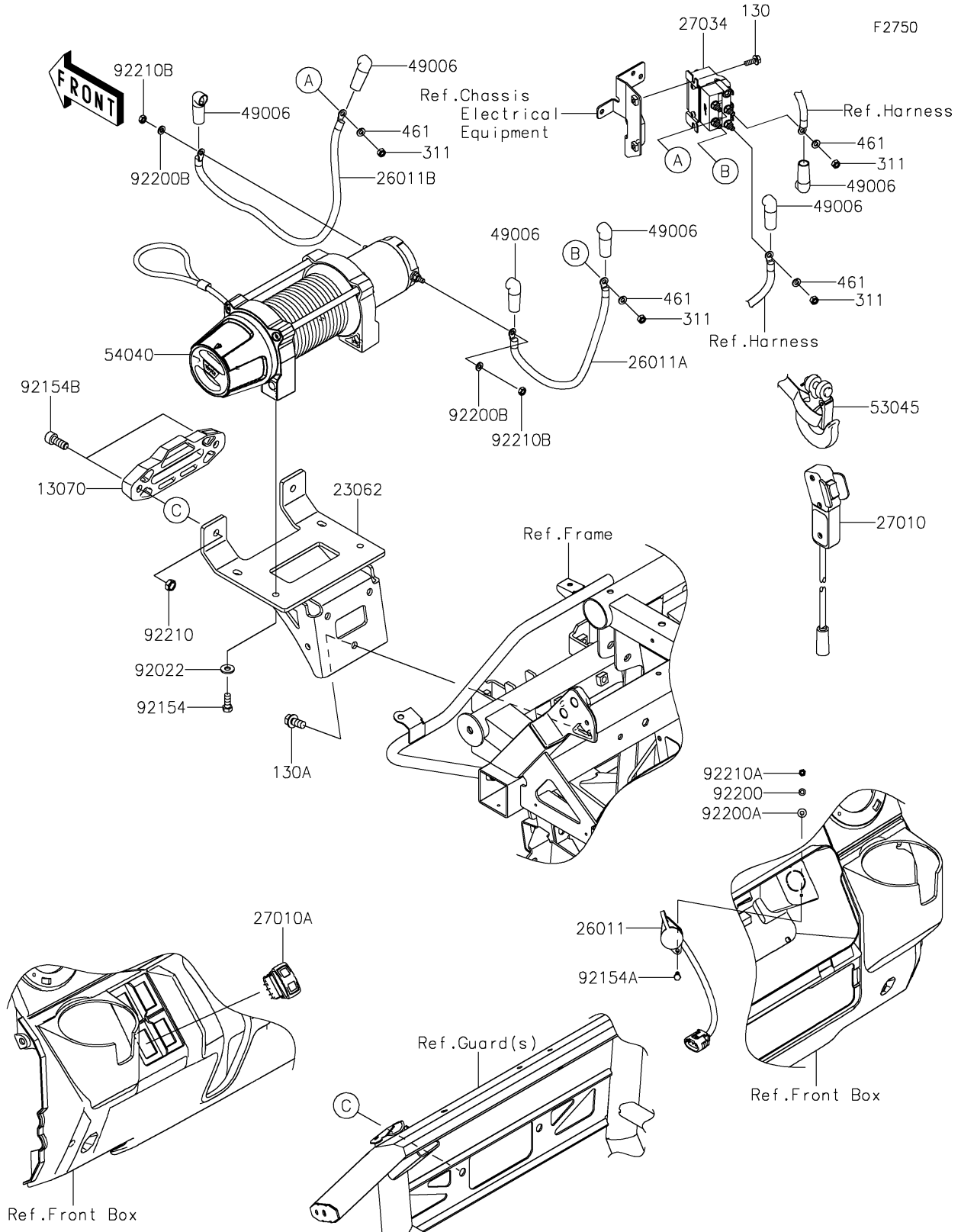


2026 RIDGE CREW Platinum Ranch Edition HVAC

PARTS DIAGRAM

Other(Winch)



2026 RIDGE CREW Platinum Ranch Edition HVAC



PARTS LIST Other(Winch)

ITEM NAME	PART NUMBER	QUANTITY
-----------	-------------	----------
