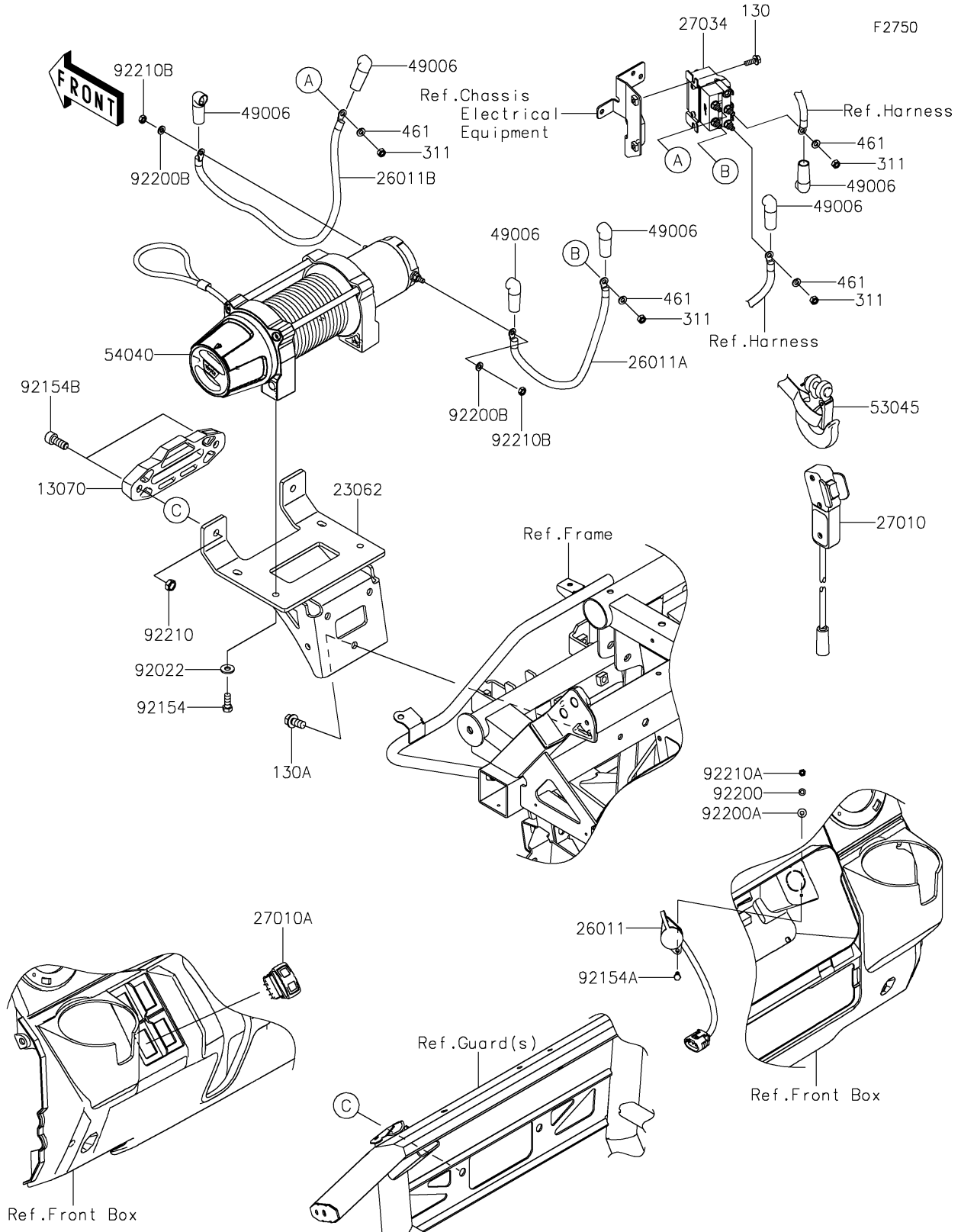


2026 RIDGE® CREW PLATINUM RANCH EDITION HVAC

PARTS DIAGRAM

Other(Winch)



2026 RIDGE® CREW PLATINUM RANCH EDITION HVAC



PARTS LIST

Other(Winch)

ITEM NAME	PART NUMBER	QUANTITY
GUIDE,FAIRLEAD (Ref # 13070)	13070-1447	1
BRACKET-COMP,WINCH (Ref # 23062)	23062-1645	1
WIRE-LEAD,REMOTE SWITCH (Ref # 26011)	26011-0935	1
WIRE-LEAD,BLUE (Ref # 26011A)	26011-2430	1
WIRE-LEAD,YELLOW (Ref # 26011B)	26011-2431	1
SWITCH,REMOTE (Ref # 27010)	27010-0820	1
SWITCH (Ref # 27010A)	27010-0985	1
RELAY,CONTROLLER (Ref # 27034)	27034-0018	1
BOOT (Ref # 49006)	49006-0601	6
HOOK-ASSY (Ref # 53045)	53045-0028	1
WINCH,VRX45-S (Ref # 54040)	54040-0010	1
WASHER,8.2X19X2 (Ref # 92022)	92022-1533	4
BOLT,8X20 (Ref # 92154)	92154-1876	4
BOLT,5X20 (Ref # 92154A)	92154-1879	2
BOLT,10X25 (Ref # 92154B)	92154-4277	2
WASHER,5 LOCK (Ref # 92200)	92200-1777	2
WASHER (Ref # 92200A)	92200-1778	2
WASHER,6.4X12X1.8 (Ref # 92200B)	92200-2358	2
NUT,LOCK,M10 (Ref # 92210)	92210-1432	2
NUT,M5X0.80 (Ref # 92210A)	92210-1435	2
NUT,6MM (Ref # 92210B)	92210-1792	2
BOLT-FLANGED,6X16 (Ref # 130)	130BA0616	2
BOLT-FLANGED,10X20 (Ref # 130A)	130BA1020	3
NUT-HEX,6MM (Ref # 311)	311BA0600	4
WASHER-SPRING,6MM (Ref # 461)	461DA0600	4