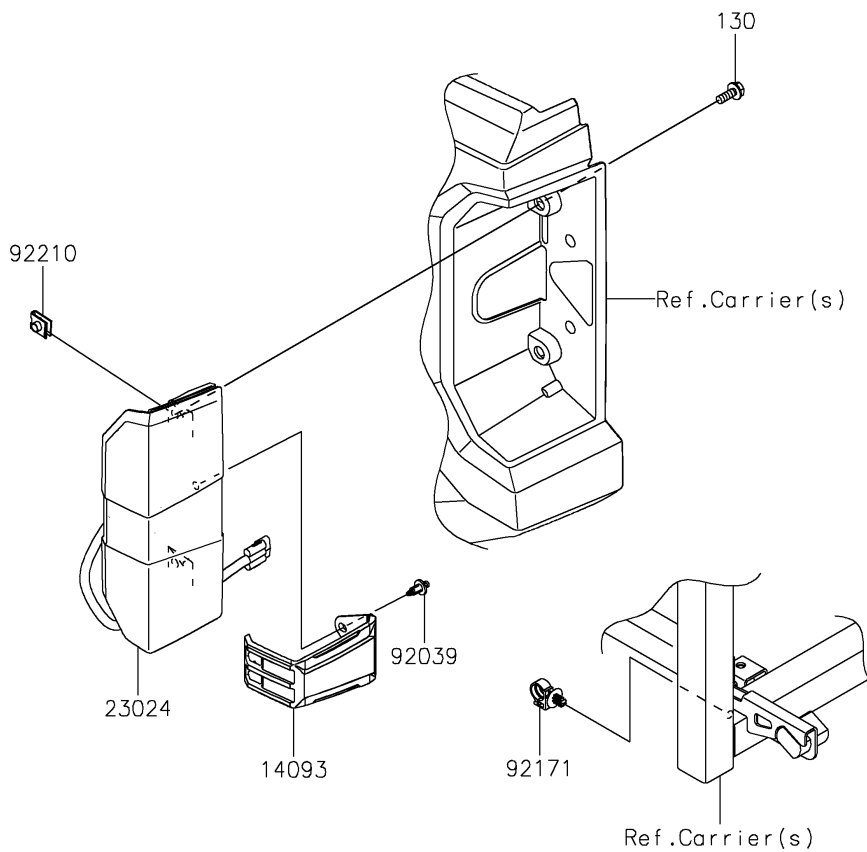
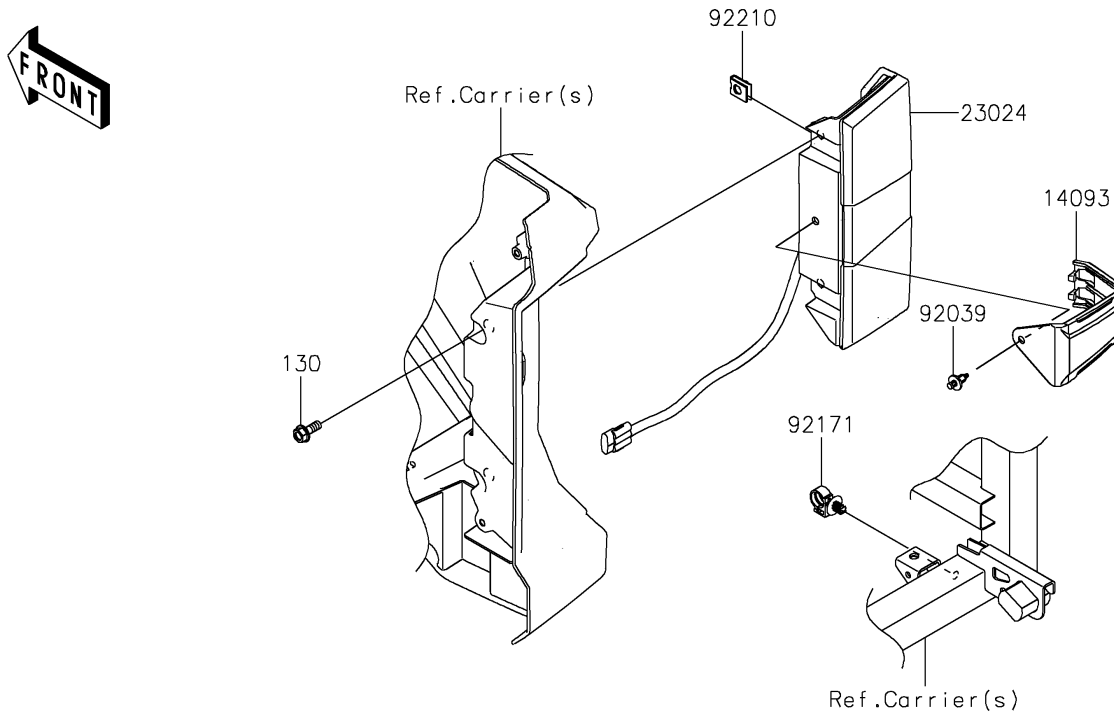


2026 RIDGE CREW Platinum Ranch Edition HVAC

PARTS DIAGRAM

Taillight(s)

F2720



2026 RIDGE CREW Platinum Ranch Edition HVAC



PARTS LIST

Taillight(s)

ITEM NAME	PART NUMBER	QUANTITY
-----------	-------------	----------
