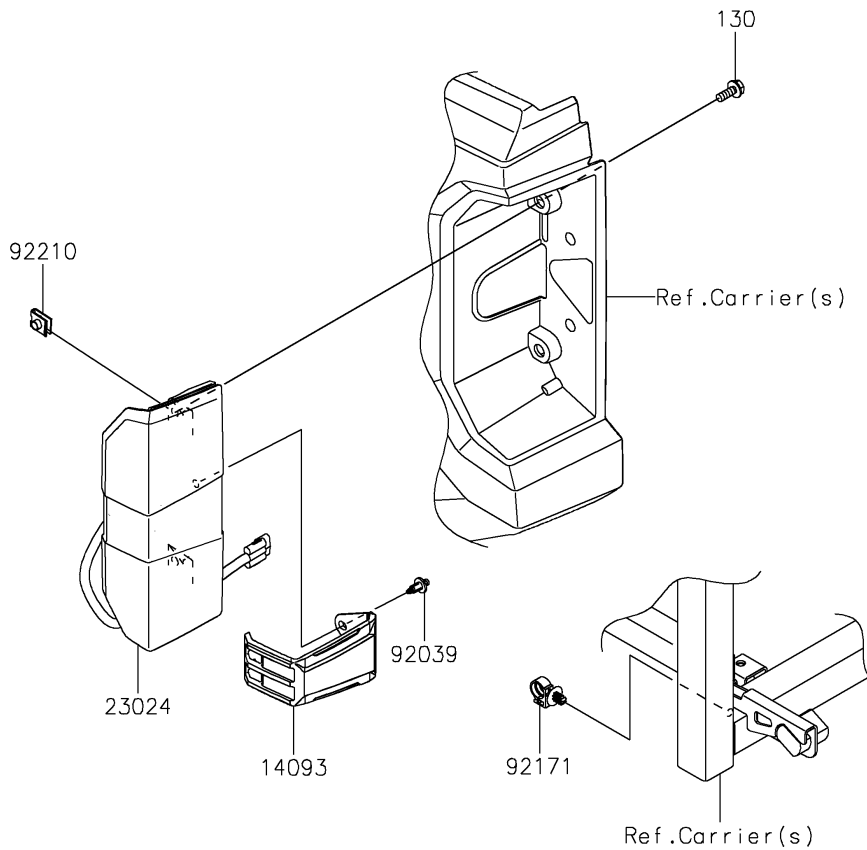
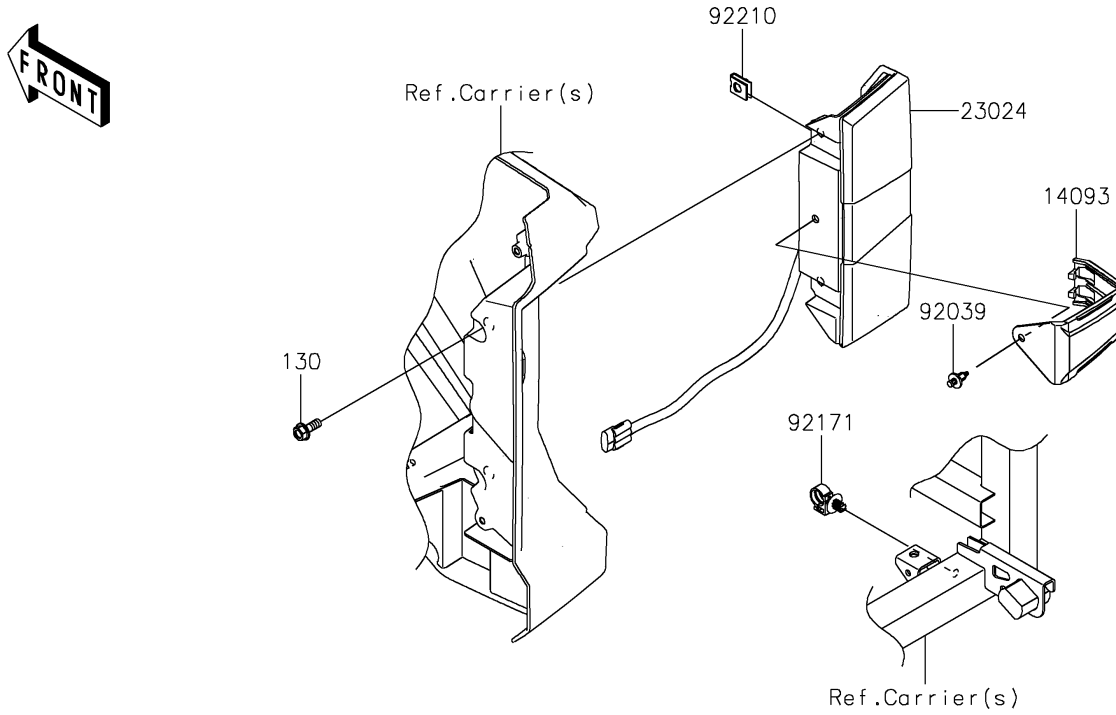


2026 RIDGE® CREW PLATINUM RANCH EDITION HVAC

PARTS DIAGRAM

Taillight(s)

F2720



2026 RIDGE® CREW PLATINUM RANCH EDITION HVAC



PARTS LIST

Taillight(s)

ITEM NAME	PART NUMBER	QUANTITY
COVER,TAIL LAMP (Ref # 14093)	14093-1413	2
LAMP-ASSY-TAIL,LED (Ref # 23024)	23024-0006	2
RIVET (Ref # 92039)	92039-0068	2
CLAMP (Ref # 92171)	92171-0453	2
NUT (Ref # 92210)	92210-1125	4
BOLT-FLANGED,6X16 (Ref # 130)	130BA0616	4