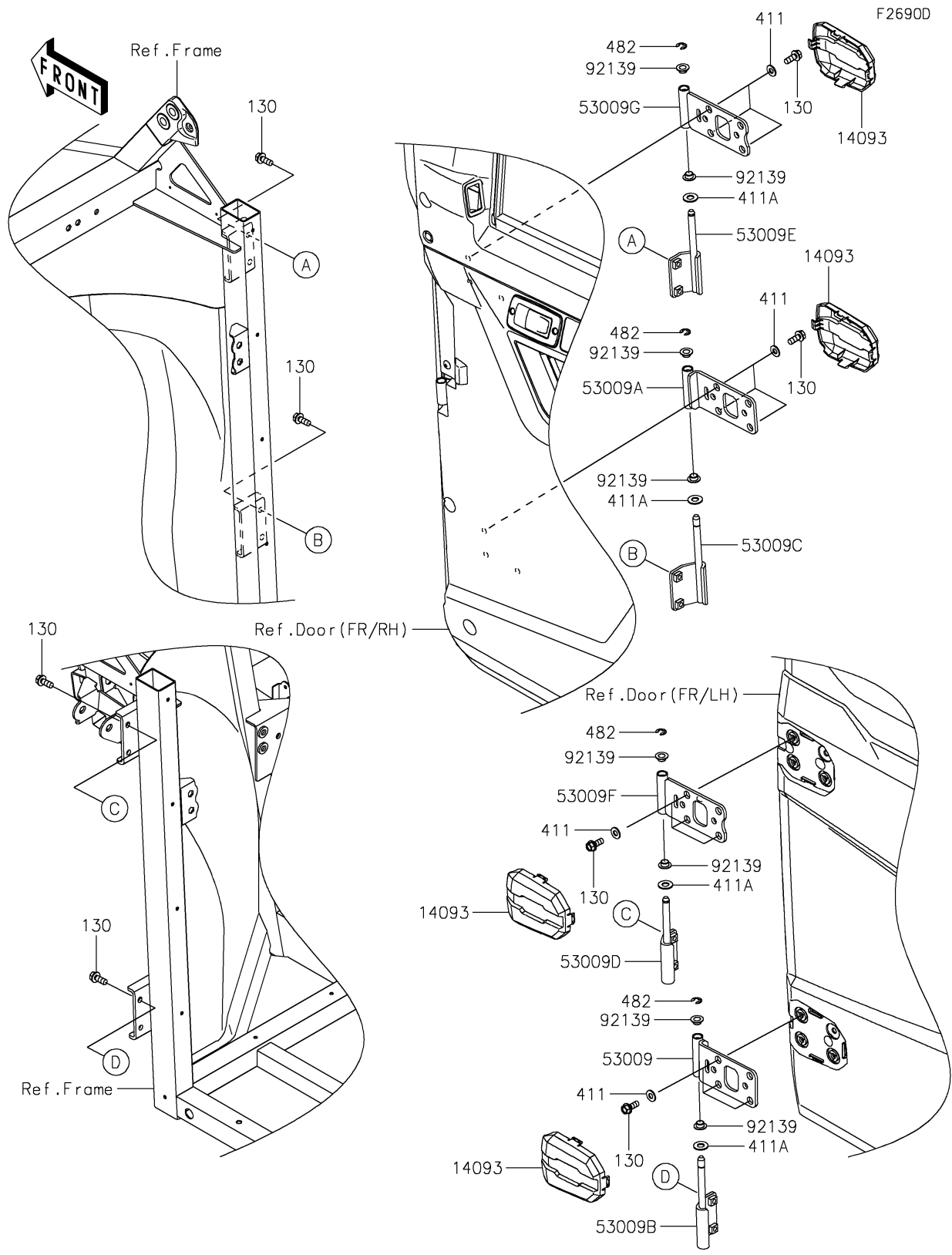


2026 RIDGE CREW Platinum Ranch Edition HVAC

PARTS DIAGRAM Door(FR/Hinge)



2026 RIDGE CREW Platinum Ranch Edition HVAC



PARTS LIST

Door(FR/Hinge)

ITEM NAME	PART NUMBER	QUANTITY
-----------	-------------	----------
