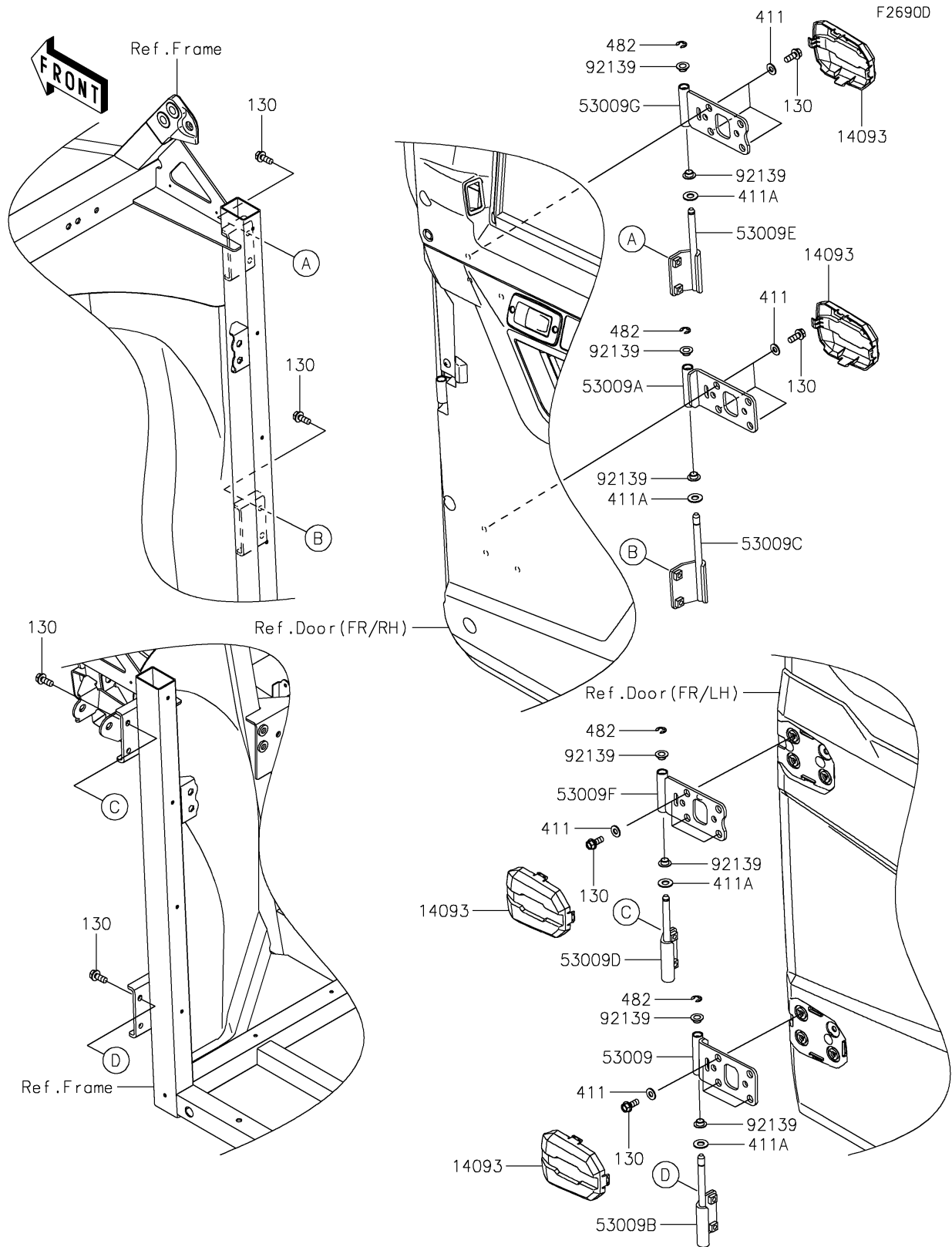


# 2026 RIDGE® CREW PLATINUM RANCH EDITION HVAC

## PARTS DIAGRAM Door(FR/Hinge)



# 2026 RIDGE® CREW PLATINUM RANCH EDITION HVAC



## PARTS LIST

### Door(FR/Hinge)

ITEM NAME	PART NUMBER	QUANTITY
COVER,DOOR HINGE (Ref # 14093)	14093-1320	4
HINGE,DOOR,LH (Ref # 53009)	53009-0313	1
HINGE,DOOR,RH (Ref # 53009A)	53009-0314	1
HINGE,DOOR,LH,LWR (Ref # 53009B)	53009-0315	1
HINGE,DOOR,RH,LWR (Ref # 53009C)	53009-0316	1
HINGE,DOOR,LH,UPP (Ref # 53009D)	53009-0317	1
HINGE,DOOR,RH,UPP (Ref # 53009E)	53009-0318	1
HINGE,DOOR,LH,UPP (Ref # 53009F)	53009-0351	1
HINGE,DOOR,RH,UPP (Ref # 53009G)	53009-0352	1
BUSHING (Ref # 92139)	92139-0230	8
BOLT-FLANGED,8X20 (Ref # 130)	130BA0820	20
WASHER-PLAIN,8MM (Ref # 411)	411AA0800	12
WASHER-PLAIN,10MM,BLACK (Ref # 411A)	411AB1000	4
CIRCLIP-TYPE-E,8MM (Ref # 482)	482EB8000	4