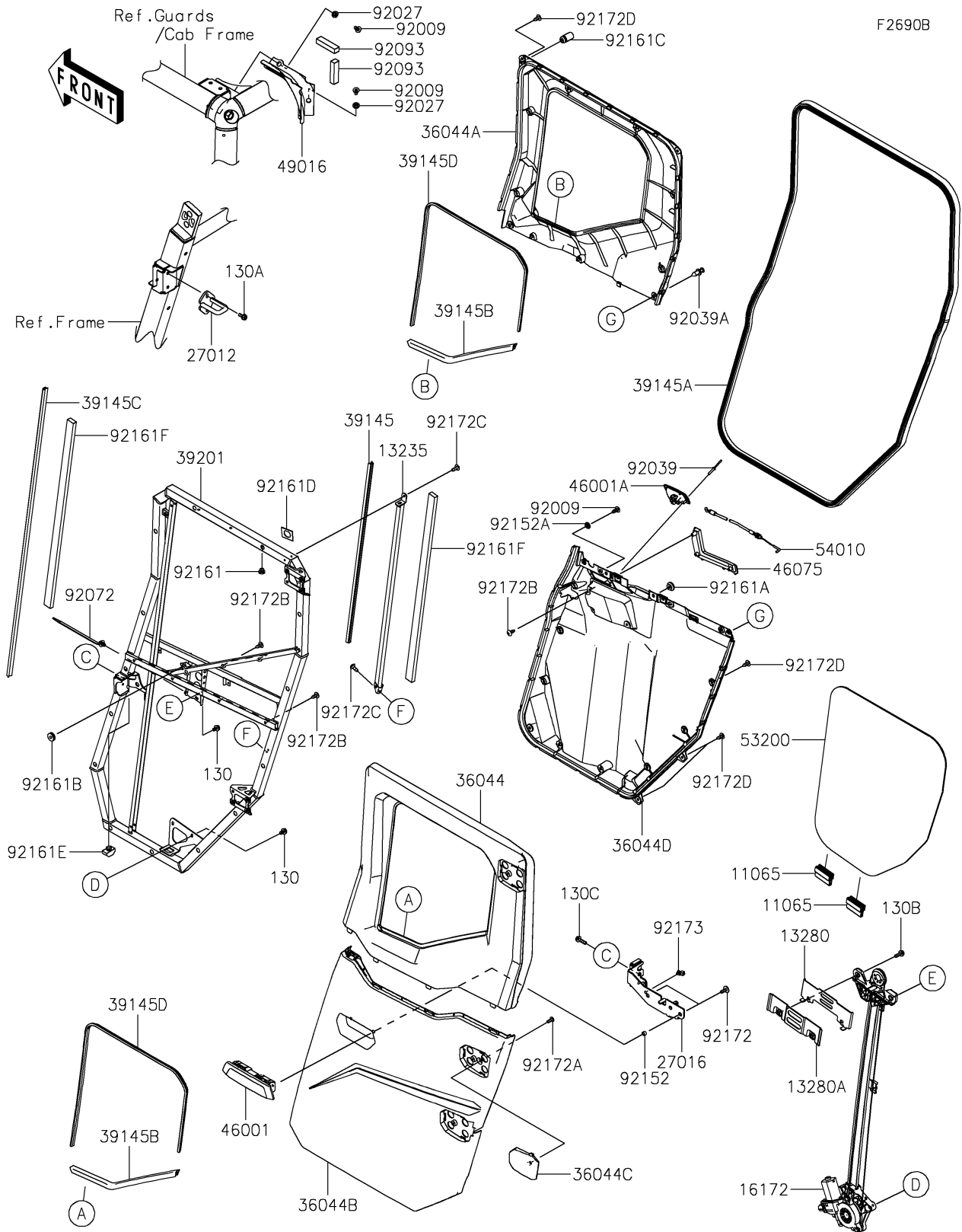


2026 RIDGE® CREW PLATINUM RANCH EDITION HVAC

PARTS DIAGRAM Door(RR/LH)



2026 RIDGE® CREW PLATINUM RANCH EDITION HVAC



PARTS LIST

Door(RR/LH)

ITEM NAME

PART NUMBER

QUANTITY
