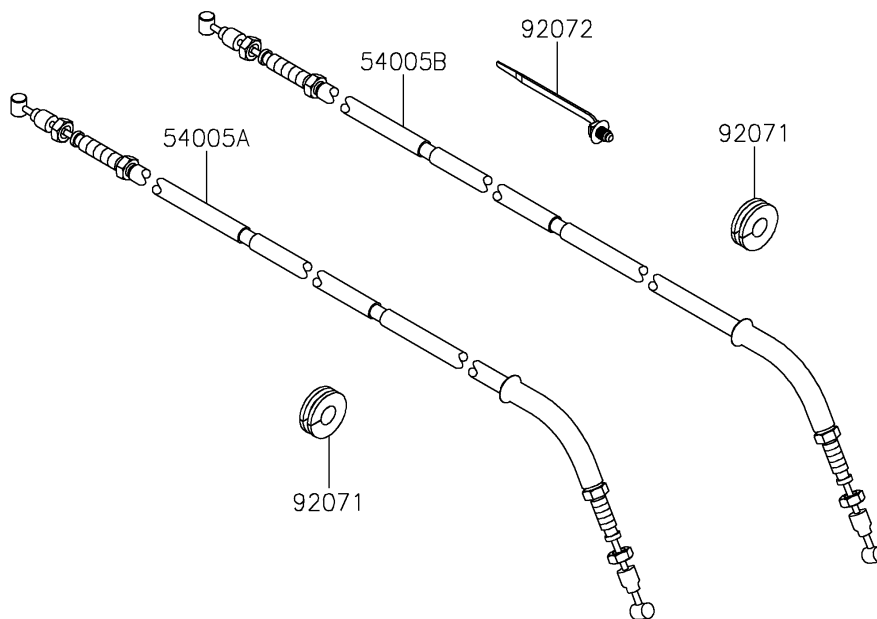
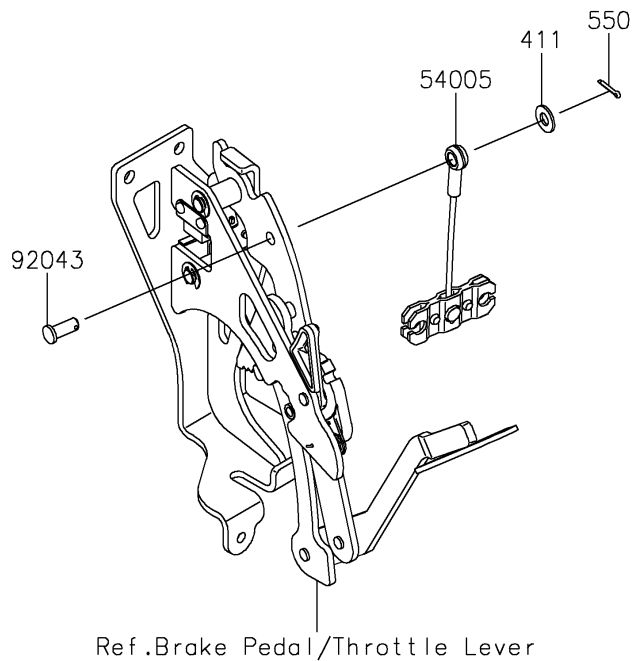


2026 RIDGE® CREW PLATINUM RANCH EDITION HVAC

PARTS DIAGRAM

Cables

F2540



2026 RIDGE® CREW PLATINUM RANCH EDITION HVAC



PARTS LIST Cables

ITEM NAME	PART NUMBER	QUANTITY
-----------	-------------	----------
