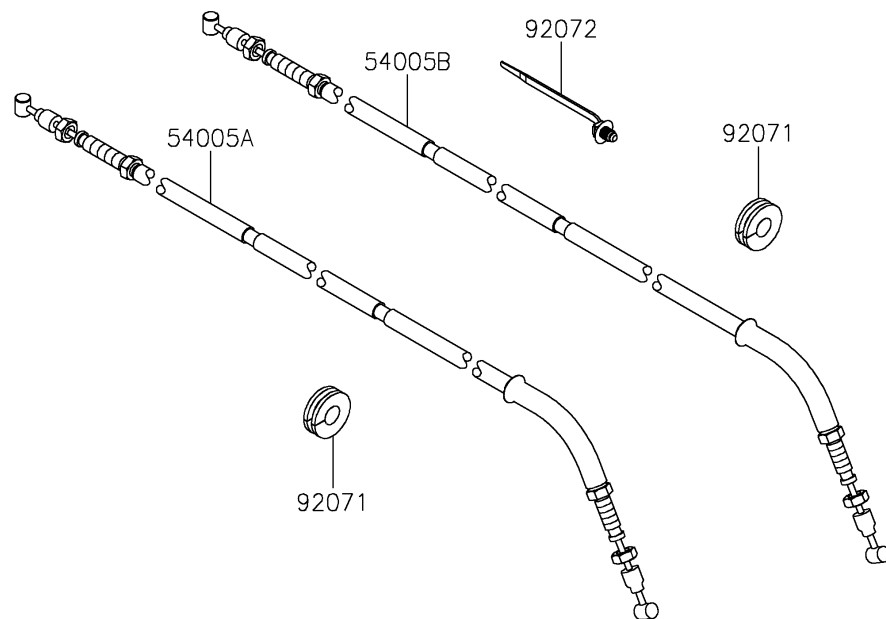
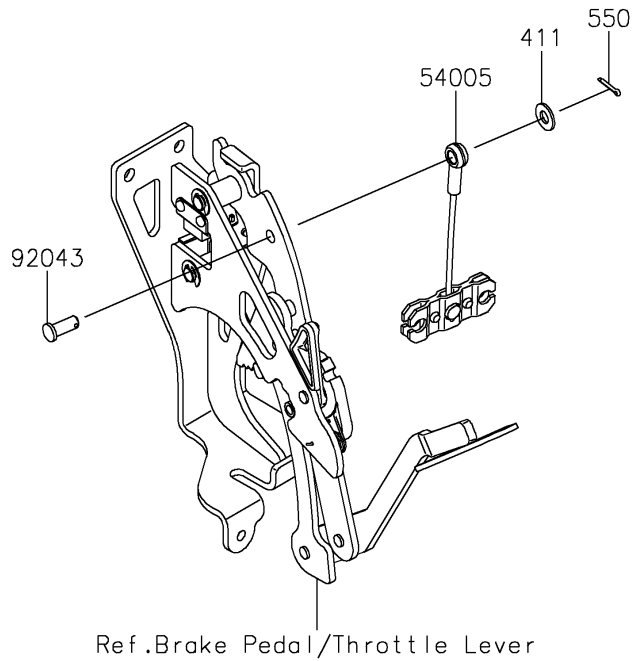


# 2026 RIDGE CREW Platinum Ranch Edition HVAC

## PARTS DIAGRAM

### Cables

F2540



# 2026 RIDGE CREW Platinum Ranch Edition HVAC



## PARTS LIST

### Cables

| ITEM NAME                             | PART NUMBER | QUANTITY |
|---------------------------------------|-------------|----------|
| CABLE-BRAKE,PARKING,FR (Ref # 54005)  | 54005-0035  | 1        |
| CABLE-BRAKE,PARKING,LH (Ref # 54005A) | 54005-0328  | 1        |
| CABLE-BRAKE,PARKING,RH (Ref # 54005B) | 54005-0329  | 1        |
| PIN (Ref # 92043)                     | 92043-1039  | 1        |
| GROMMET (Ref # 92071)                 | 92071-0029  | 5        |
| BAND,OS170-FT7(BLACK) (Ref # 92072)   | 92072-1414  | 6        |
| WASHER-PLAIN,8MM (Ref # 411)          | 411AA0800   | 1        |
| PIN-COTTER,2.5X18 (Ref # 550)         | 550AA2518   | 1        |