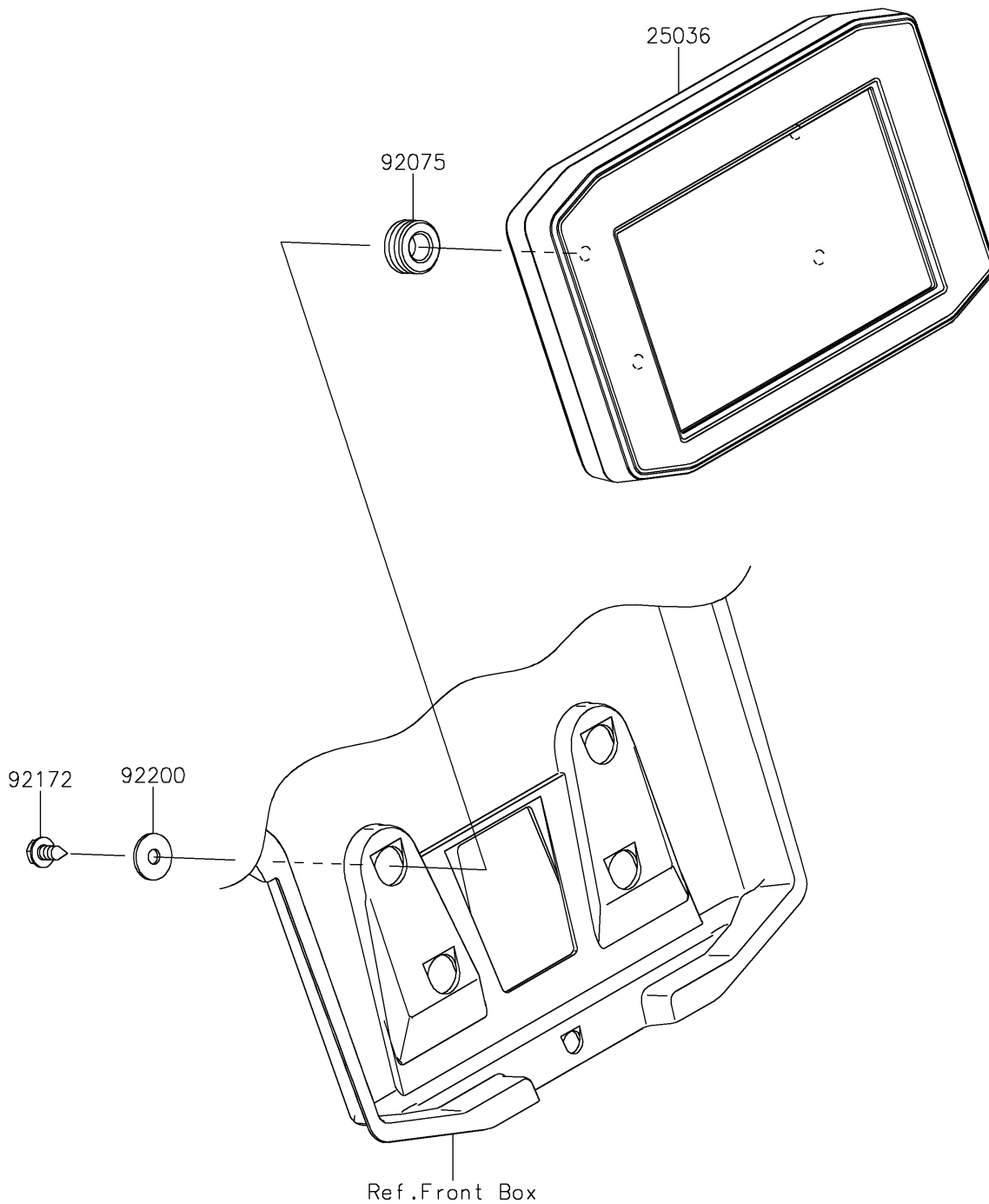


2026 RIDGE® CREW PLATINUM RANCH EDITION HVAC

PARTS DIAGRAM

Meter(s)

F2530



2026 RIDGE® CREW PLATINUM RANCH EDITION HVAC



PARTS LIST

Meter(s)

ITEM NAME	PART NUMBER	QUANTITY
METER-ASSY,TFT DISPLAY (Ref # 25036)	25036-0233	1
DAMPER (Ref # 92075)	92075-1898	4
SCREW,TAPPING,6X16 (Ref # 92172)	92172-1313	4
WASHER,6.5X20X1.6 (Ref # 92200)	92200-0283	4