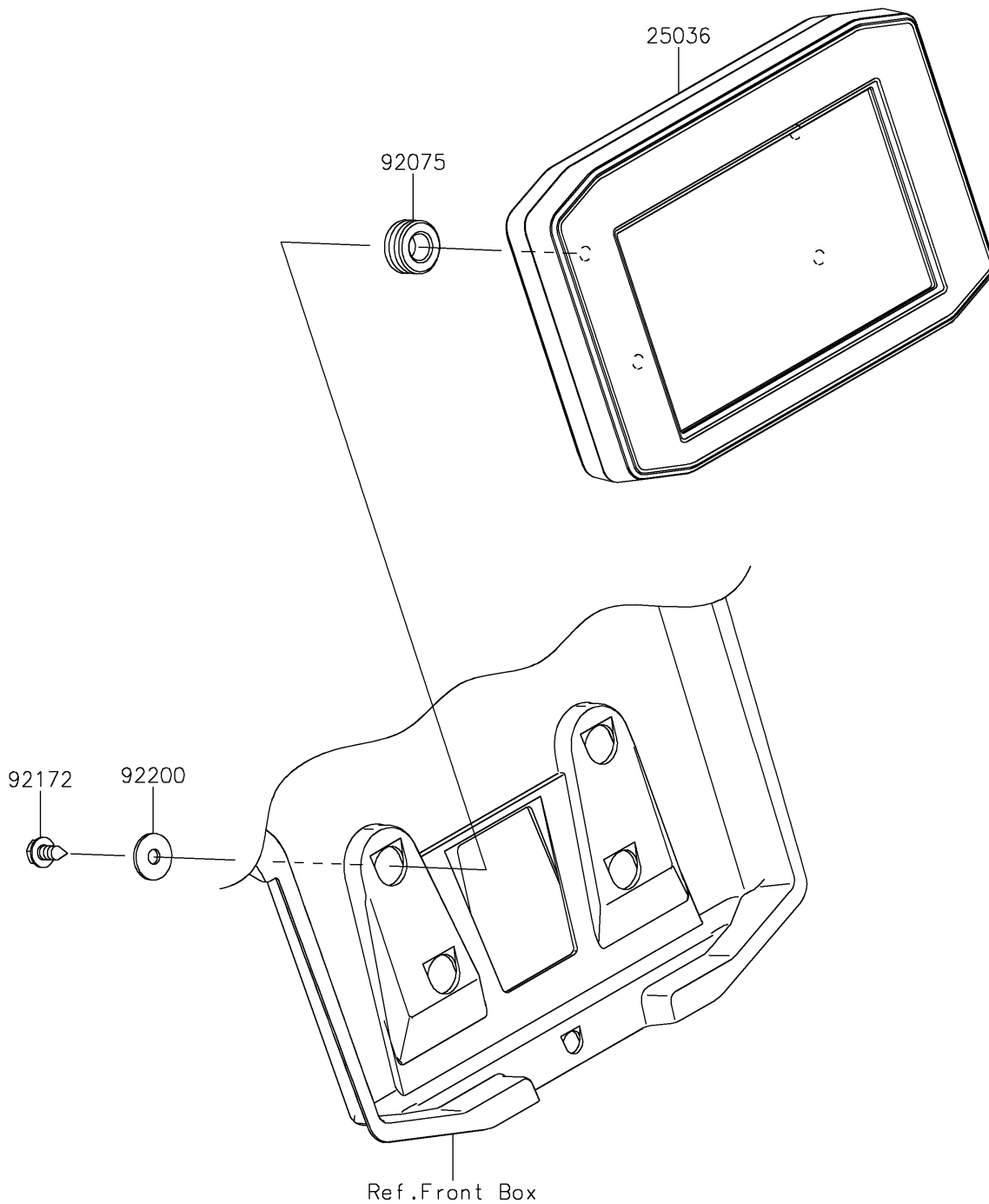


2026 RIDGE CREW Platinum Ranch Edition HVAC

PARTS DIAGRAM

Meter(s)

F2530



2026 RIDGE CREW Platinum Ranch Edition HVAC



PARTS LIST

Meter(s)

| ITEM NAME | PART NUMBER | QUANTITY |
|--------------------------------------|-------------|----------|
| METER-ASSY,TFT DISPLAY (Ref # 25036) | 25036-0233 | 1 |
| DAMPER (Ref # 92075) | 92075-1898 | 4 |
| SCREW,TAPPING,6X16 (Ref # 92172) | 92172-1313 | 4 |
| WASHER,6.5X20X1.6 (Ref # 92200) | 92200-0283 | 4 |