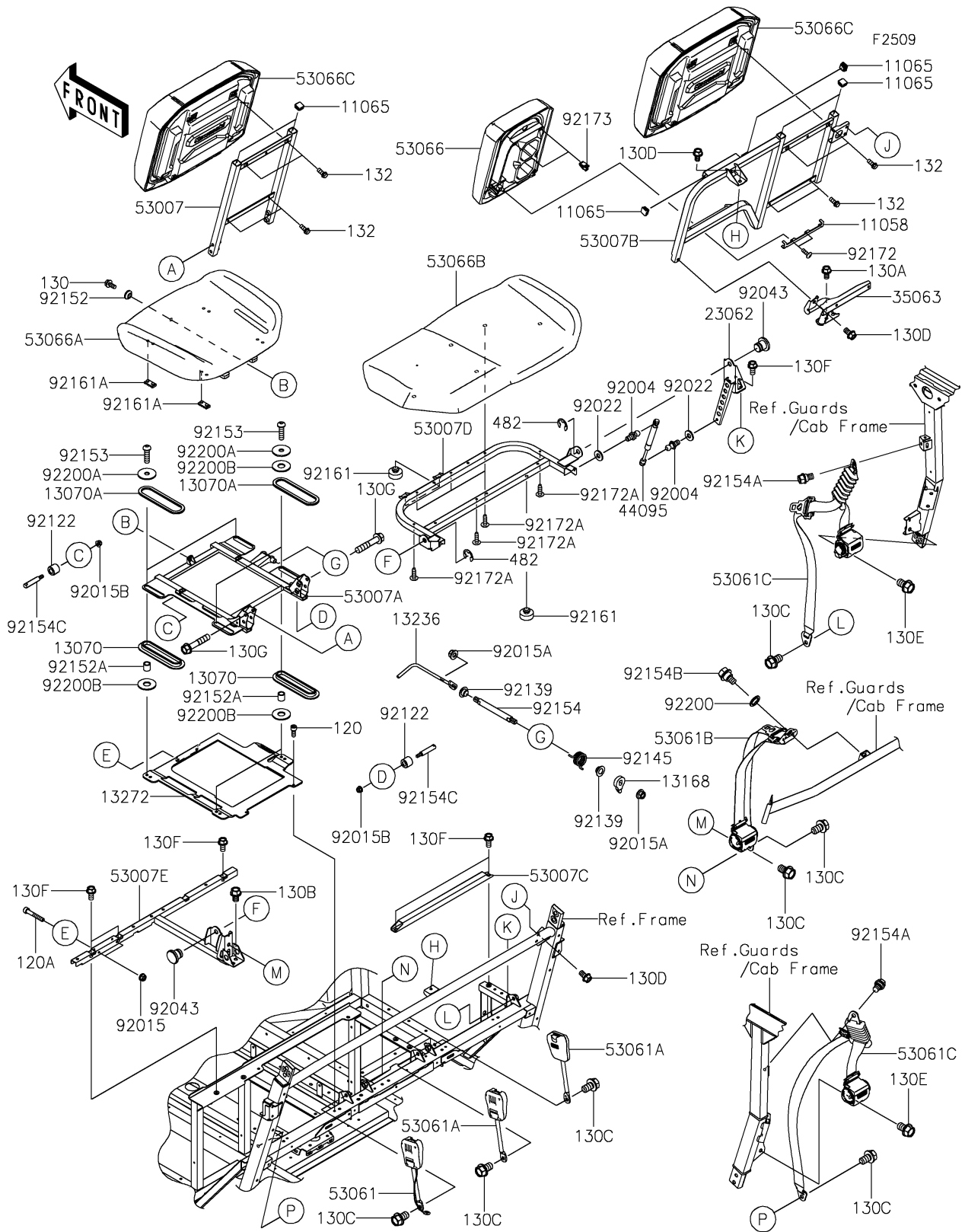


2026 RIDGE CREW Platinum Ranch Edition HVAC

PARTS DIAGRAM

Seat(Front)



2026 RIDGE CREW Platinum Ranch Edition HVAC



PARTS LIST

Seat(Front)

ITEM NAME	PART NUMBER	QUANTITY
BRACKET,SEAT BACK,CNT (Ref # 11058)	11058-0516	1
CAP (Ref # 11065)	11065-0901	6
GUIDE,SEAT SLIDE,OUTER (Ref # 13070)	13070-1643	4
GUIDE,SEAT SLIDE,INNER (Ref # 13070A)	13070-1644	4
LEVER,STOP (Ref # 13168)	13168-0883	1
LEVER-COMP,SEAT SLIDE,DRIVER (Ref # 13236)	13236-0902	1
PLATE,SEAT SLIDE,DRIVER (Ref # 13272)	13272-7445	1
BRACKET-COMP,SEAT BOTTOM (Ref # 23062)	23062-1607	1
STAY,FR SEAT,CNT (Ref # 35063)	35063-1669	1
DAMPER-GAS FILLED (Ref # 44095)	44095-0004	1
FRAME-SEAT,BACK,DRIVER (Ref # 53007)	53007-0546	1
FRAME-SEAT,BOTTOM,DRIVER (Ref # 53007A)	53007-0548	1
FRAME-SEAT,BACK,PASSENGER (Ref # 53007B)	53007-0567	1
FRAME-SEAT,BOTTOM,RH (Ref # 53007C)	53007-0571	1
FRAME-SEAT,BOTTOM,PASSENGER (Ref # 53007D)	53007-0572	1
FRAME-SEAT,FR BOTTOM,LH (Ref # 53007E)	53007-0573	1
BELT-SEAT,BUCKLE,SW. (Ref # 53061)	53061-0384	1
BELT-SEAT,BUCKLE (Ref # 53061A)	53061-0385	2
BELT-SEAT,RETRACTOR,L=2550 (Ref # 53061B)	53061-0396	1
BELT-SEAT,RETRACTOR,L=2600 (Ref # 53061C)	53061-0418	2
SEAT-ASSY,BACK,CNT,BLACK+BRN (Ref # 53066)	53066-0872-64X	1
SEAT-ASSY,BOTTOM,DRIVER,BLACK+ (Ref # 53066A)	53066-1115-64X	1
SEAT-ASSY,BOTTOM,PASSENGER,BLA (Ref # 53066B)	53066-1116-64X	1
SEAT-ASSY,BACK,BLACK+BRN (Ref # 53066C)	53066-1120-64X	2
STUD (Ref # 92004)	92004-0733	2
NUT,FLANGED,6MM (Ref # 92015)	92015-1367	2
NUT,8MM (Ref # 92015A)	92015-1432	2
NUT,LOCK,FLANGED,5MM (Ref # 92015B)	92015-1752	4
WASHER,8.2X19X2 (Ref # 92022)	92022-1533	2

2026 RIDGE CREW Platinum Ranch Edition HVAC

PARTS LIST

Seat(Front)

ITEM NAME	PART NUMBER	QUANTITY
PIN (Ref # 92043)	92043-1773	2
ROLLER (Ref # 92122)	92122-0575	4
BUSHING (Ref # 92139)	92139-0230	2
SPRING,ADJUST LEVER (Ref # 92145)	92145-1858	1
COLLAR (Ref # 92152)	92152-3971	1
COLLAR,8.5X12X12 (Ref # 92152A)	92152-4110	4
BOLT,SOCKET,8X30 (Ref # 92153)	92153-0393	4
BOLT,ADJUST LEVER (Ref # 92154)	92154-3923	1
BOLT,FLANGED,10X16 (Ref # 92154A)	92154-7395	2
BOLT,FLANGED,10X19.5 (Ref # 92154B)	92154-7396	1
BOLT (Ref # 92154C)	92154-7656	4
DAMPER (Ref # 92161)	92161-1065	3
DAMPER,SEAT (Ref # 92161A)	92161-1489	4
SCREW,TAPPING,5X16 (Ref # 92172)	92172-0427	2
SCREW,TAPPING,6X20 (Ref # 92172A)	92172-0488	6
CLAMP (Ref # 92173)	92173-1423	2
WASHER,16X22X2 (Ref # 92200)	92200-1798	1
WASHER,8.3X32X2.0 (Ref # 92200A)	92200-2686	4
WASHER,12.5X32X2 (Ref # 92200B)	92200-2909	6
BOLT-SOCKET,6X16 (Ref # 120)	120CA0616	2
BOLT-SOCKET,6X40 (Ref # 120A)	120CA0640	2
BOLT-FLANGED,6X14 (Ref # 130)	130BA0614	1
BOLT-FLANGED,8X14 (Ref # 130A)	130BA0814	2
BOLT-FLANGED,10X14 (Ref # 130B)	130BA1014	2
BOLT-FLANGED,12X20 (Ref # 130C)	130BA1220	7
BOLT-FLANGED,8X14 (Ref # 130D)	130BB0814	4
BOLT-FLANGED,12X20 (Ref # 130E)	130BB1220	2
BOLT-FLANGED,8X16 (Ref # 130F)	130CA0816	7
BOLT-FLANGED,10X50 (Ref # 130G)	130CA1050	4

2026 RIDGE CREW Platinum Ranch Edition HVAC



PARTS LIST

Seat(Front)

ITEM NAME	PART NUMBER	QUANTITY
BOLT-FLANGED-SMALL,6X14 (Ref # 132)	132BB0614	8
CIRCLIP-TYPE-E,12MM (Ref # 482)	482EA0200	2