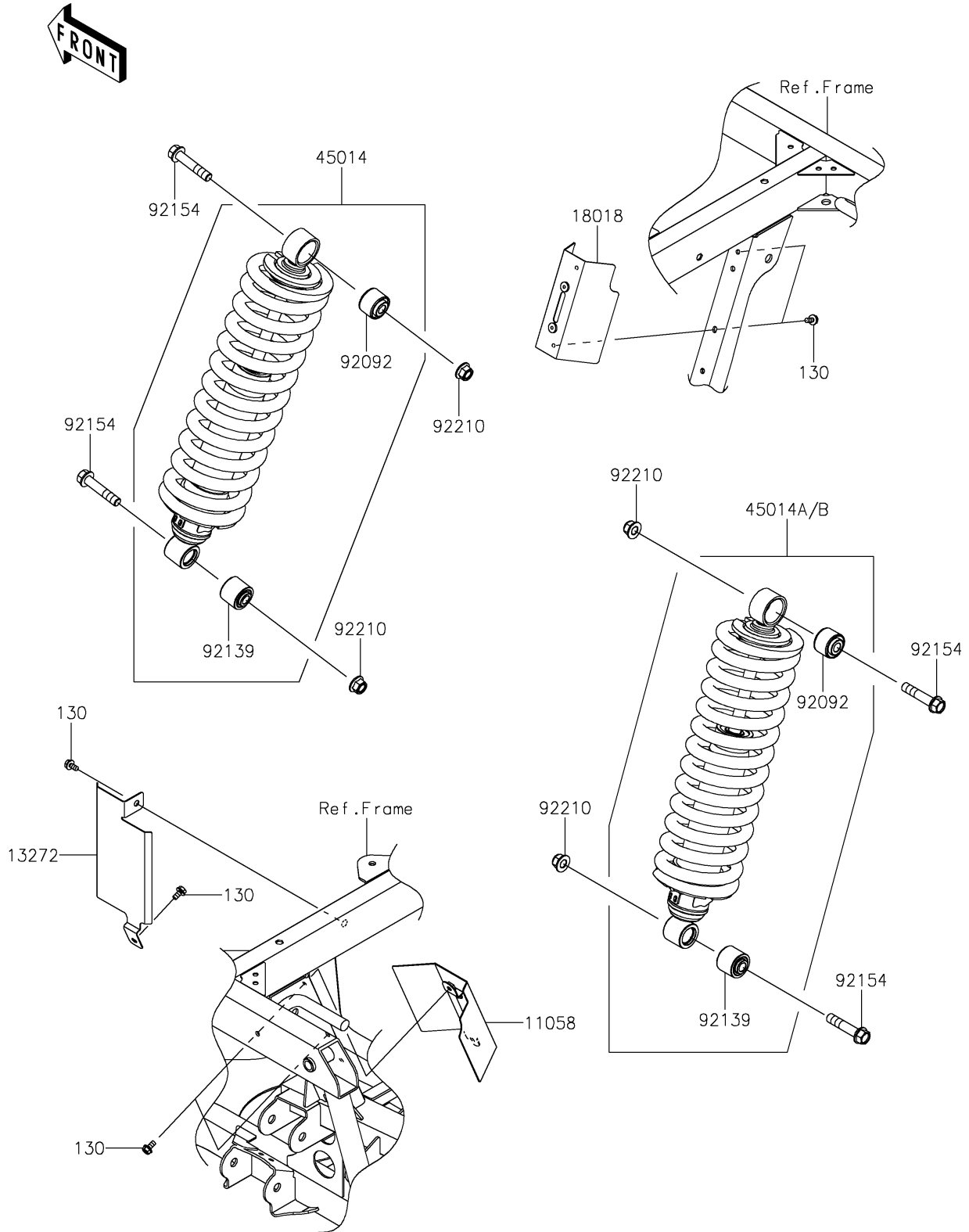


2026 RIDGE CREW Platinum Ranch Edition HVAC

PARTS DIAGRAM

Shock Absorber(s)

F2280



2026 RIDGE CREW Platinum Ranch Edition HVAC



PARTS LIST

Shock Absorber(s)

| ITEM NAME | PART NUMBER | QUANTITY |
|---|----------------|----------|
| BRACKET,HEAT GUARD (Ref # 11058) | 11058-0842 | 1 |
| PLATE,HEAT GUARD (Ref # 13272) | 13272-4206 | 1 |
| PLATE-HEAT GUARD (Ref # 18018) | 18018-0654 | 1 |
| SHOCKABSORBER,FR,HVAC,P.SILVER (Ref # 45014) | 45014-1852-458 | 2 |
| SHOCKABSORBER,RR,HVAC,P.SILVER (Ref # 45014A) | 45014-1853-458 | 2 |
| SHOCKABSORBER,RR,HVAC,P.SILVER (Ref # 45014B) | 45014-1855-458 | 2 |
| BUSHING-RUBBER (Ref # 92092) | 92092-0048 | 4 |
| BUSHING (Ref # 92139) | 92139-1282 | 4 |
| BOLT,FLANGED,12X58 (Ref # 92154) | 92154-7080 | 8 |
| NUT,LOCK,FLANGED,12MM (Ref # 92210) | 92210-1931 | 8 |
| BOLT-FLANGED,6X12 (Ref # 130) | 130BA0612 | 6 |