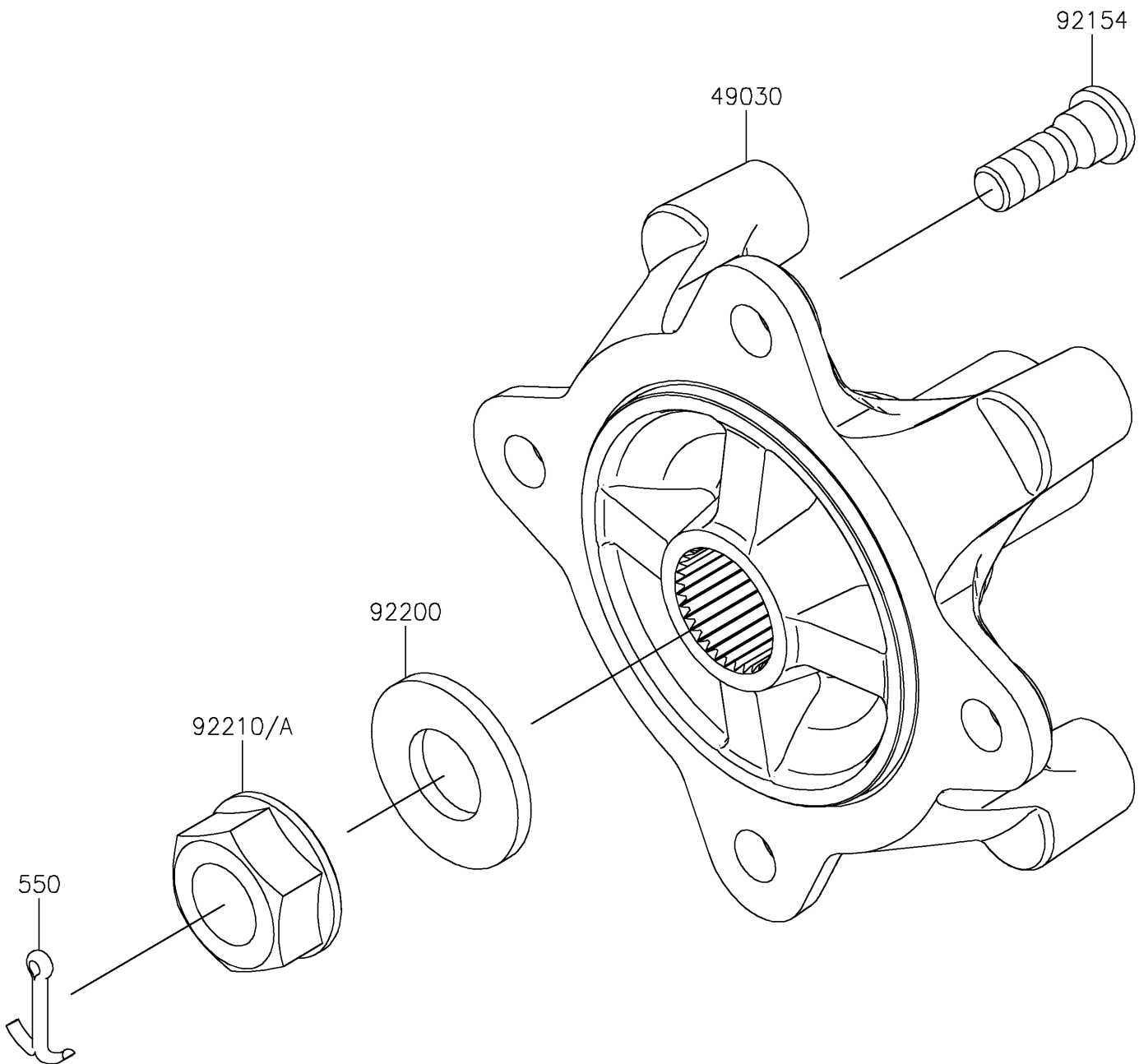


# 2026 RIDGE® CREW PLATINUM RANCH EDITION HVAC

**Kawasaki**  
Let the Good Times Roll®

## PARTS DIAGRAM Rear Hubs/Brakes

F2240



# 2026 RIDGE® CREW PLATINUM RANCH EDITION HVAC



## PARTS LIST

### Rear Hubs/Brakes

ITEM NAME	PART NUMBER	QUANTITY
-----------	-------------	----------

---