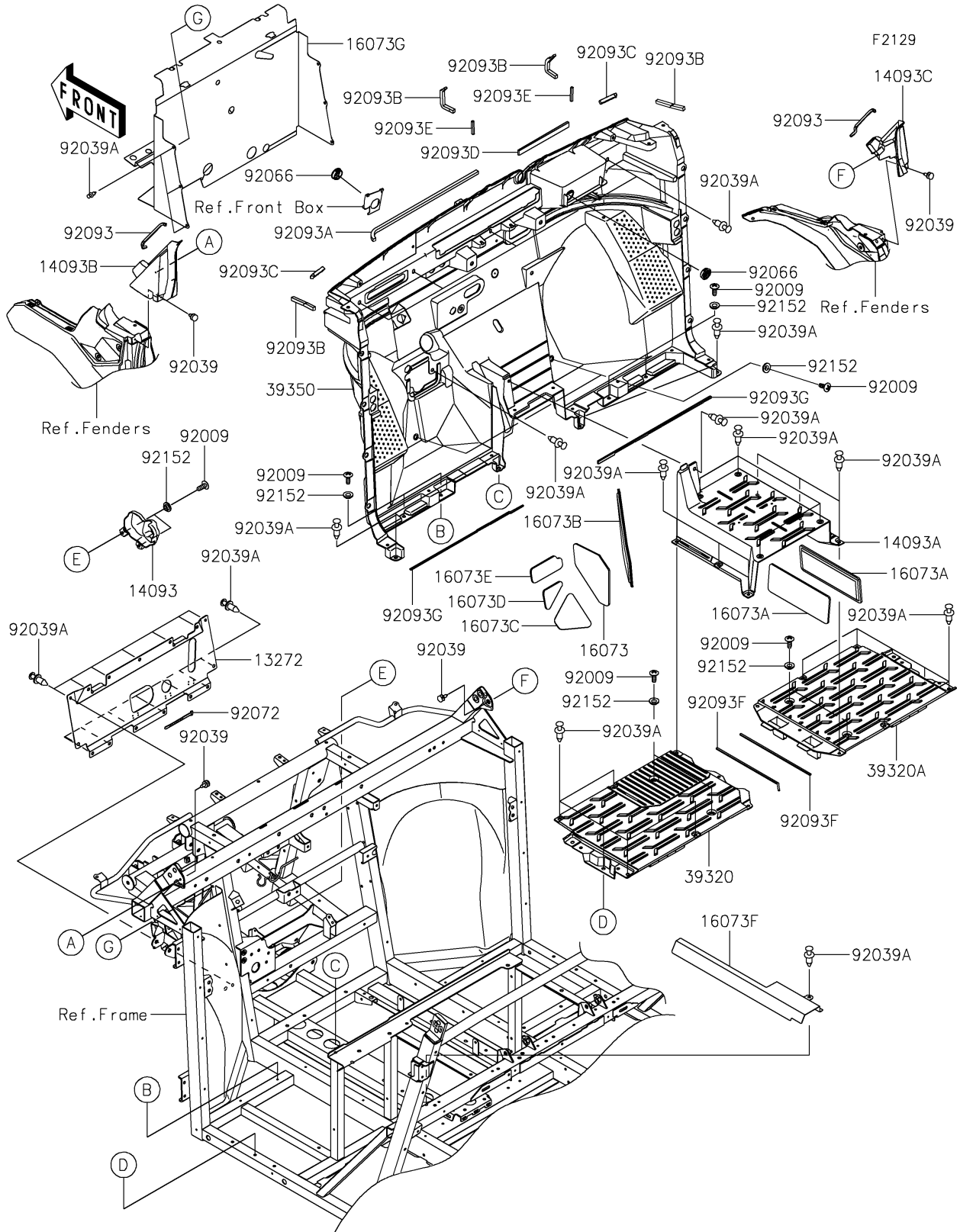


2026 RIDGE CREW Platinum Ranch Edition HVAC

PARTS DIAGRAM Frame Fittings(Front)



2026 RIDGE CREW Platinum Ranch Edition HVAC

PARTS LIST

Frame Fittings(Front)

ITEM NAME	PART NUMBER	QUANTITY
PLATE,FR TUNNEL (Ref # 13272)	13272-4215	1
COVER,FR GEAR,SIDE (Ref # 14093)	14093-0839	1
COVER,TUNNEL,CNT (Ref # 14093A)	14093-1330	1
COVER,A PILLAR,LH (Ref # 14093B)	14093-1369	1
COVER,A PILLAR,RH (Ref # 14093C)	14093-1370	1
INSULATOR,FR PANEL (Ref # 16073)	16073-0946	1
INSULATOR,FR TUNNEL&BACK PANEL (Ref # 16073A)	16073-0947	2
INSULATOR,FR PANEL,RH (Ref # 16073B)	16073-0963	1
INSULATOR,FR PANEL,LH,LWR (Ref # 16073C)	16073-0964	1
INSULATOR,FR PANEL,LH,CNT (Ref # 16073D)	16073-0965	1
INSULATOR,FR PANEL,LH,UPP (Ref # 16073E)	16073-0966	1
INSULATOR (Ref # 16073F)	16073-0983	1
INSULATOR,RADIATOR BACK (Ref # 16073G)	16073-1167	1
FLOOR,PANEL,LH (Ref # 39320)	39320-0001	1
FLOOR,PANEL,RH (Ref # 39320A)	39320-0002	1
PANEL,FR (Ref # 39350)	39350-0006	1
SCREW,TAPPING,6X16 (Ref # 92009)	92009-1166	12
RIVET (Ref # 92039)	92039-0046	4
RIVET (Ref # 92039A)	92039-0776	52
PLUG,FR PANEL (Ref # 92066)	92066-1599	2
BAND,L=123 (Ref # 92072)	92072-030	3
SEAL,6X6X195 (Ref # 92093)	92093-0781	2
SEAL,10X10X500 (Ref # 92093A)	92093-0784	1
SEAL,10X10X110 (Ref # 92093B)	92093-0785	4
SEAL,10X10X60 (Ref # 92093C)	92093-0786	2
SEAL,6X17X220 (Ref # 92093D)	92093-0813	1
SEAL,6X6X50 (Ref # 92093E)	92093-0817	2
SEAL,3X5X310 (Ref # 92093F)	92093-0818	2
SEAL,3X5X500 (Ref # 92093G)	92093-0819	2

2026 RIDGE CREW Platinum Ranch Edition HVAC



PARTS LIST

Frame Fittings(Front)

ITEM NAME	PART NUMBER	QUANTITY
COLLAR,6.3X9.5X4.1 (Ref # 92152)	92152-1571	12