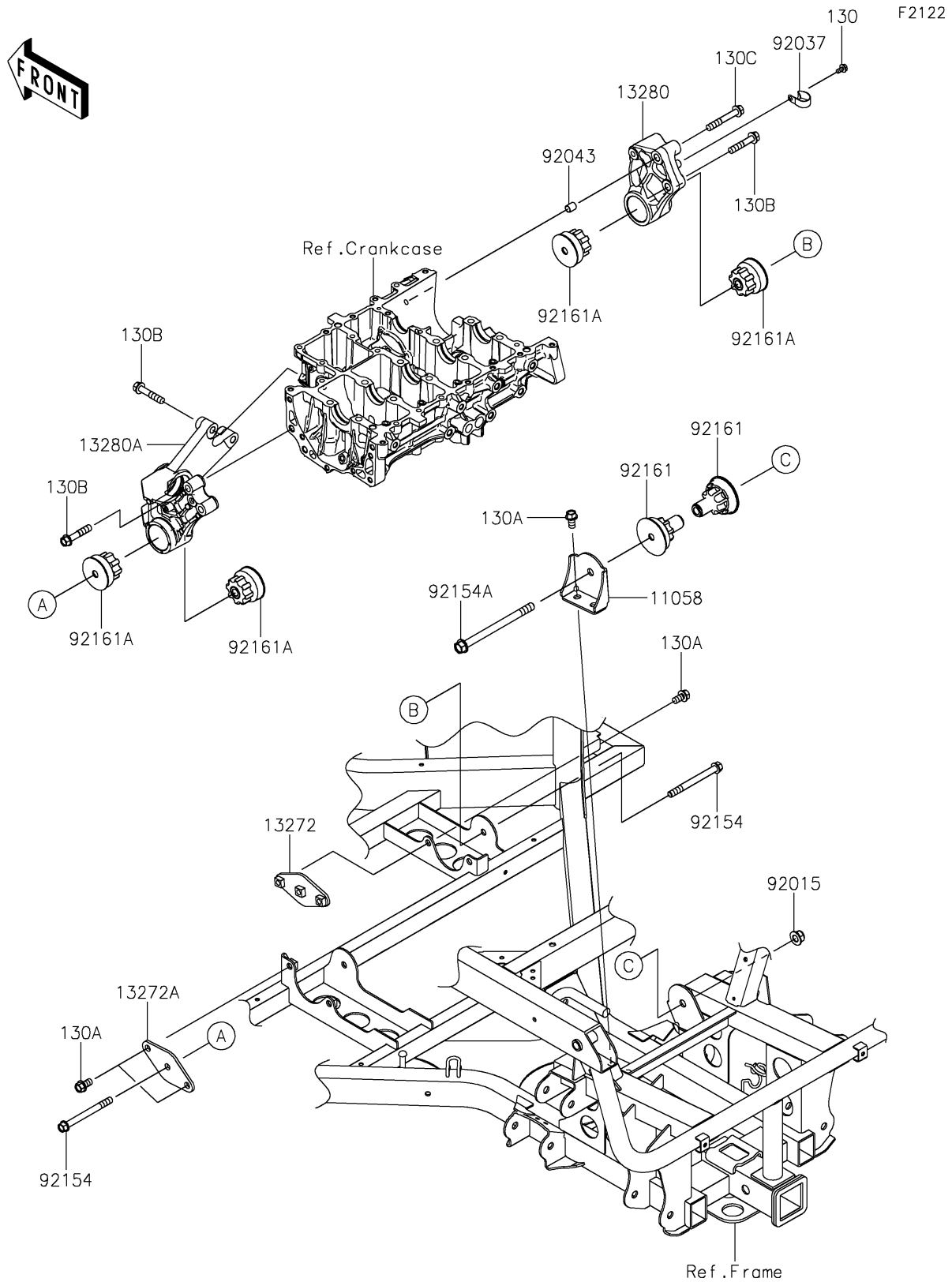


2026 RIDGE CREW Platinum Ranch Edition HVAC

PARTS DIAGRAM

Engine Mount



2026 RIDGE CREW Platinum Ranch Edition HVAC



PARTS LIST

Engine Mount

ITEM NAME	PART NUMBER	QUANTITY
-----------	-------------	----------
