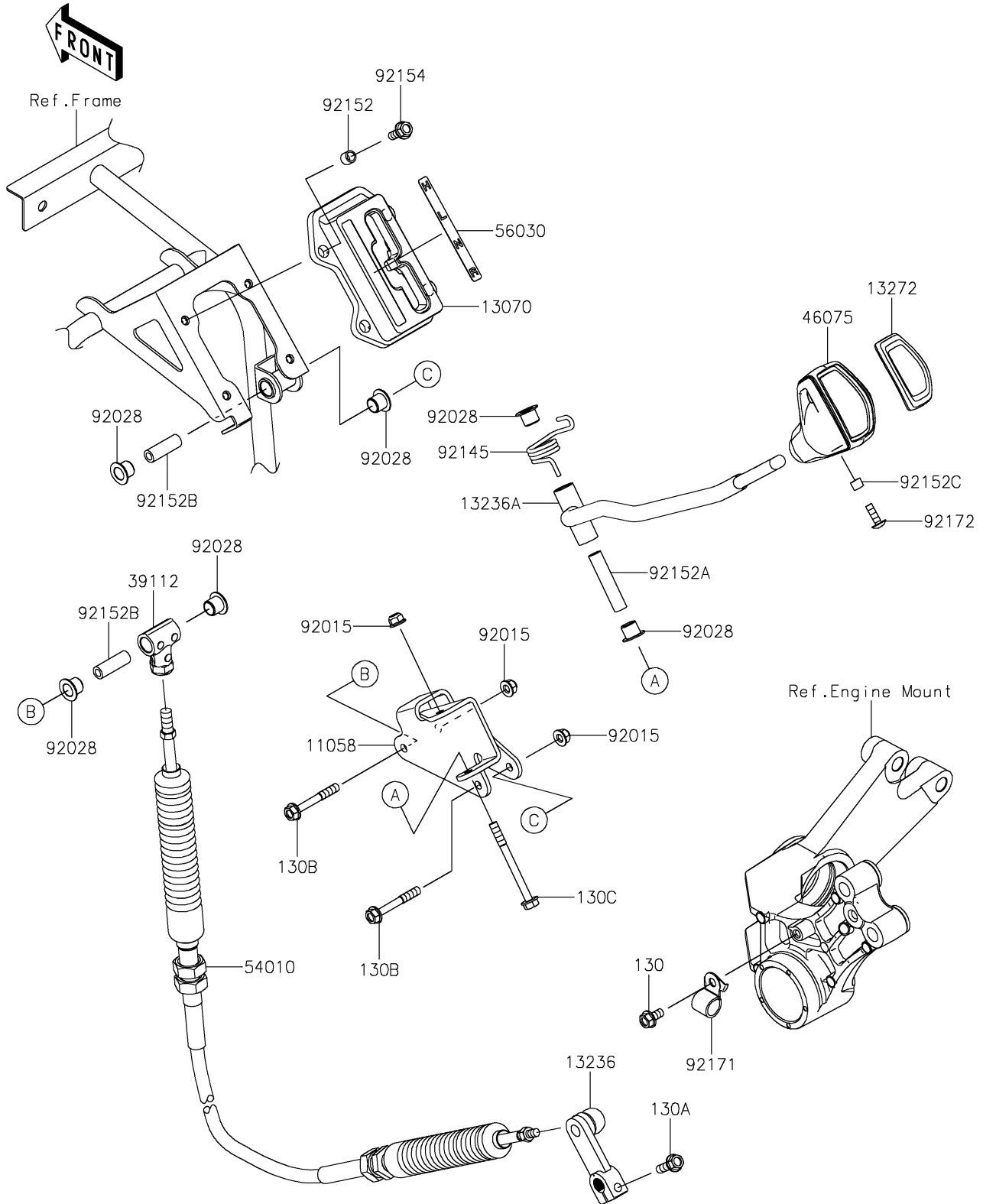


2026 RIDGE® CREW PLATINUM RANCH EDITION HVAC

PARTS DIAGRAM Control

E7110



2026 RIDGE® CREW PLATINUM RANCH EDITION HVAC



PARTS LIST Control

ITEM NAME	PART NUMBER	QUANTITY
-----------	-------------	----------
