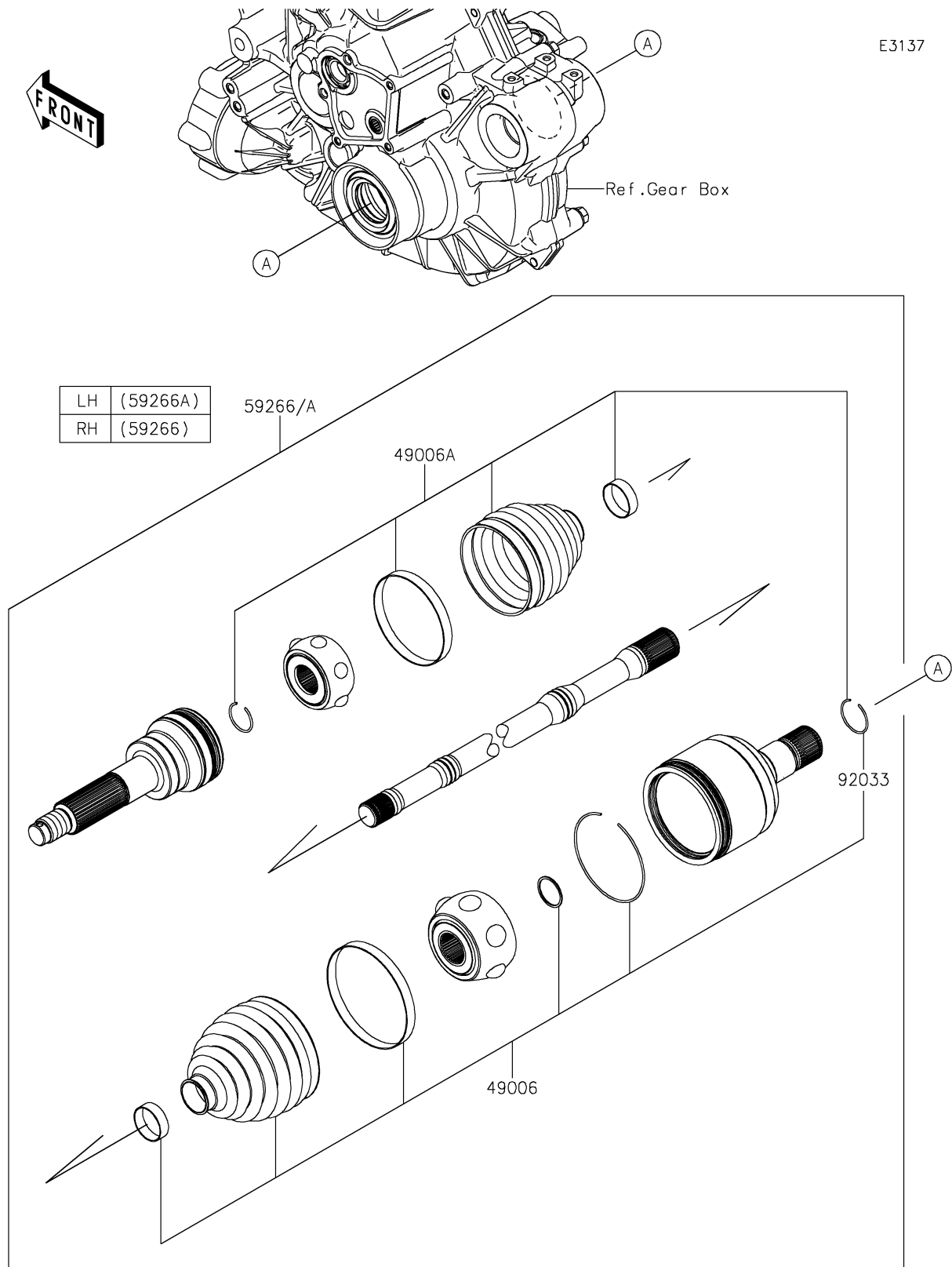


# 2026 RIDGE® CREW PLATINUM RANCH EDITION HVAC

## PARTS DIAGRAM

### Drive Shaft-Rear



# 2026 RIDGE® CREW PLATINUM RANCH EDITION HVAC



## PARTS LIST

### Drive Shaft-Rear

ITEM NAME	PART NUMBER	QUANTITY
BOOT,INSIDE (Ref # 49006)	49006-0613	2
BOOT,OUTSIDE (Ref # 49006A)	49006-0654	2
JOINT-BALL,RR,RH (Ref # 59266)	59266-0765	1
JOINT-BALL,RR,LH (Ref # 59266A)	59266-0766	1
RING-SNAP (Ref # 92033)	92033-0840	2