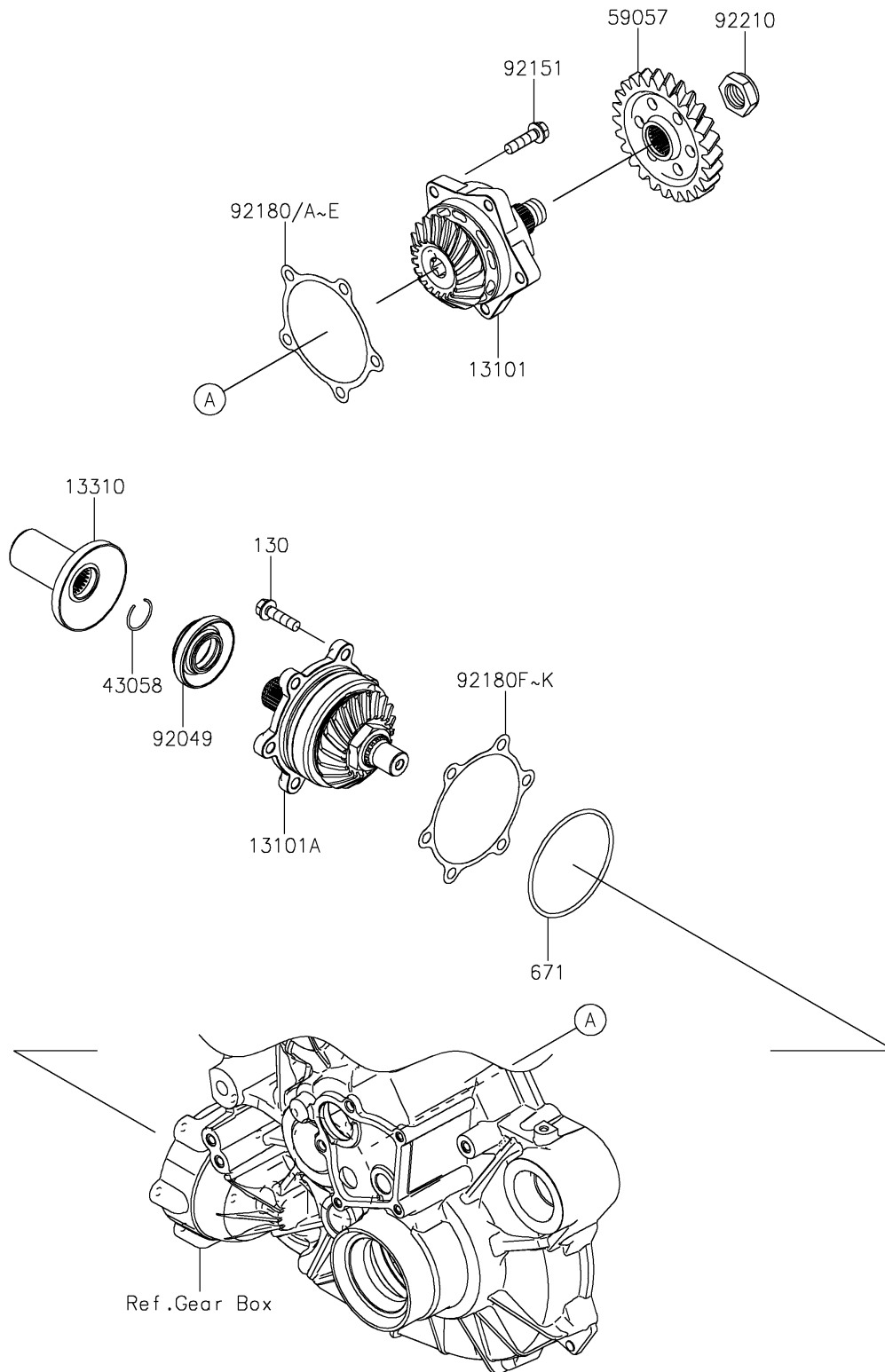


# 2026 RIDGE CREW Platinum Ranch Edition HVAC

## PARTS DIAGRAM

### Bevel Gear

E3130



# 2026 RIDGE CREW Platinum Ranch Edition HVAC



## PARTS LIST Bevel Gear

ITEM NAME	PART NUMBER	QUANTITY
-----------	-------------	----------

---