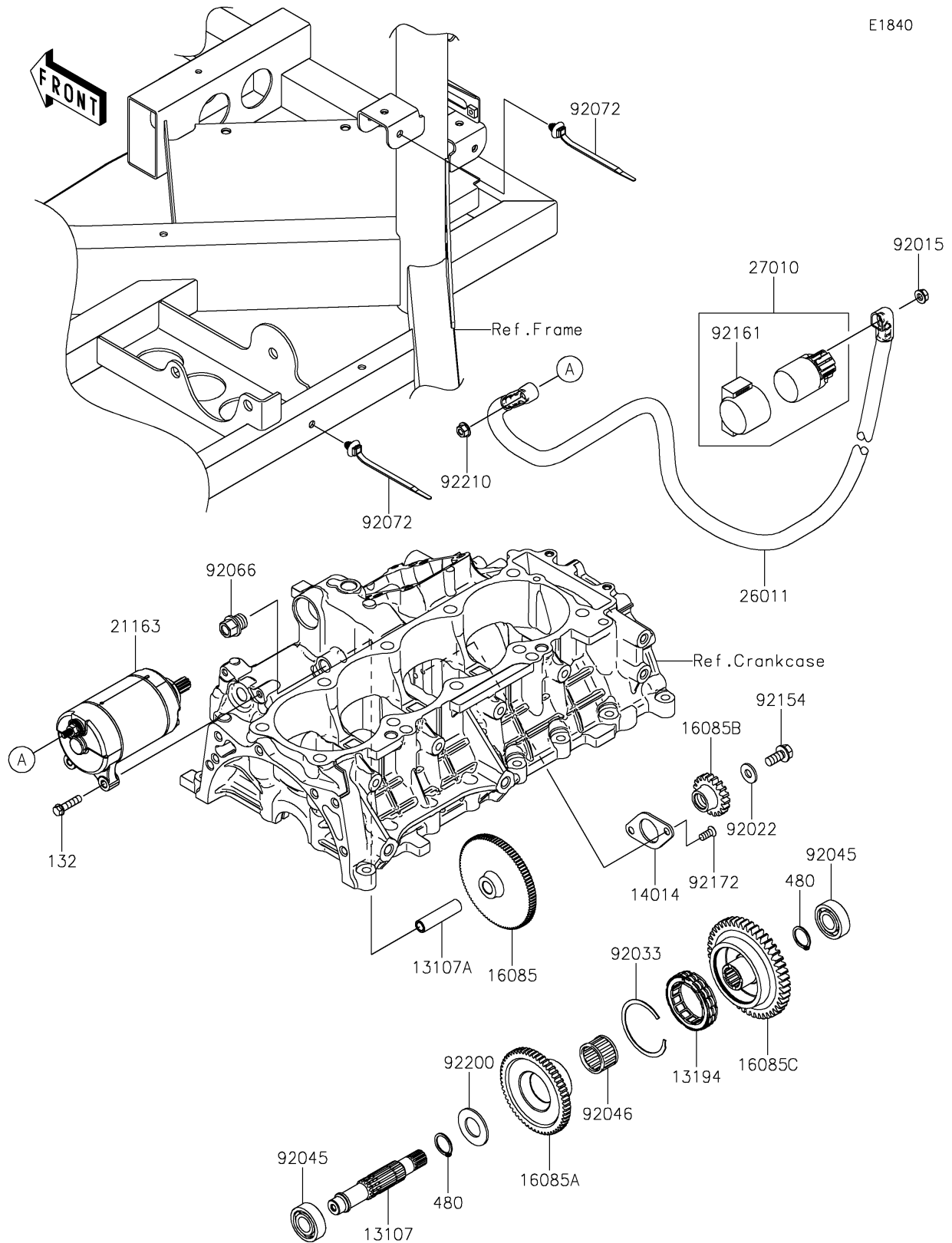


2026 RIDGE® CREW PLATINUM RANCH EDITION HVAC

PARTS DIAGRAM

Starter Motor



2026 RIDGE® CREW PLATINUM RANCH EDITION HVAC



PARTS LIST Starter Motor

ITEM NAME	PART NUMBER	QUANTITY
-----------	-------------	----------
