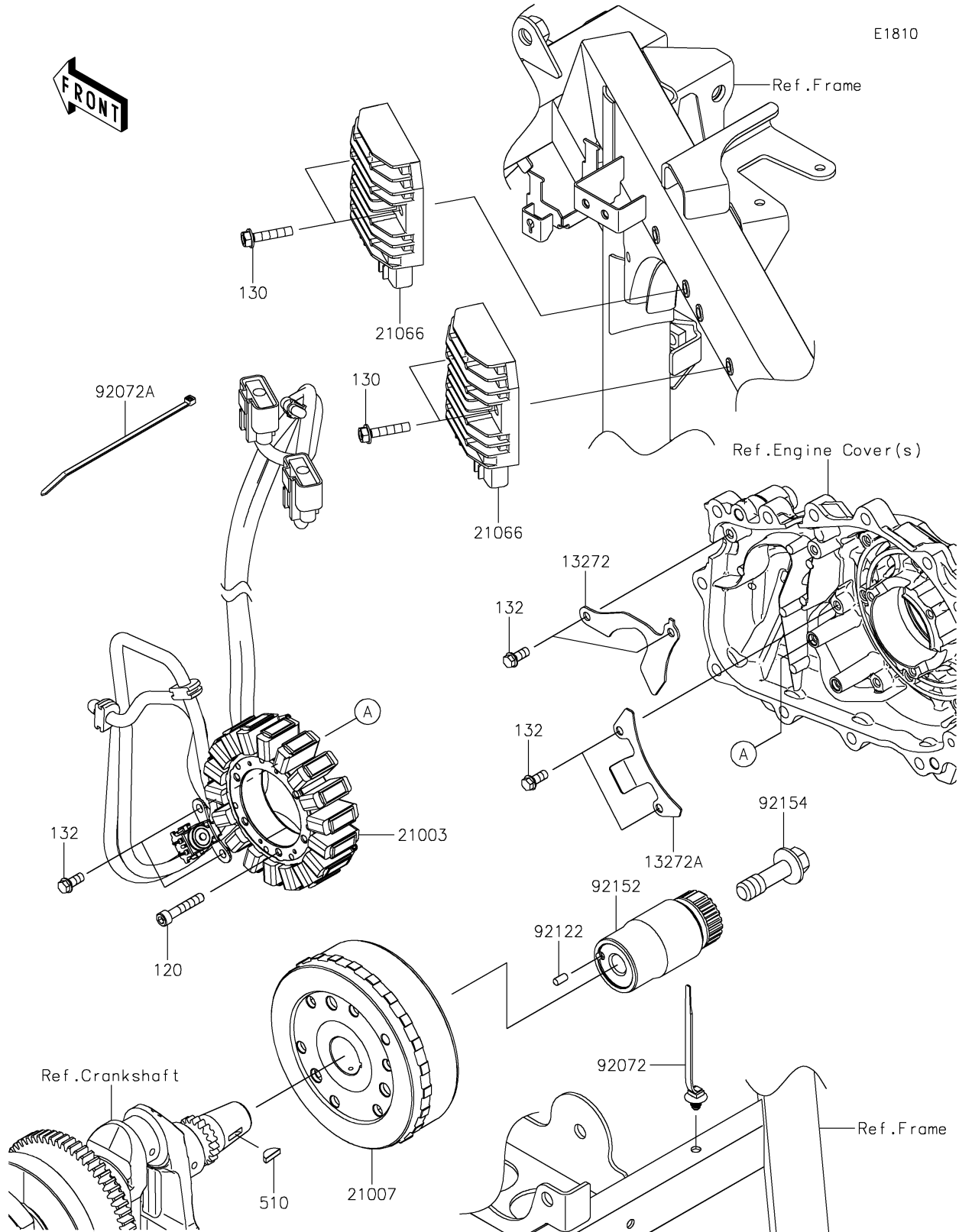


# 2026 RIDGE® CREW PLATINUM RANCH EDITION HVAC

## PARTS DIAGRAM

### Generator



# 2026 RIDGE® CREW PLATINUM RANCH EDITION HVAC



## PARTS LIST Generator

ITEM NAME	PART NUMBER	QUANTITY
-----------	-------------	----------

---