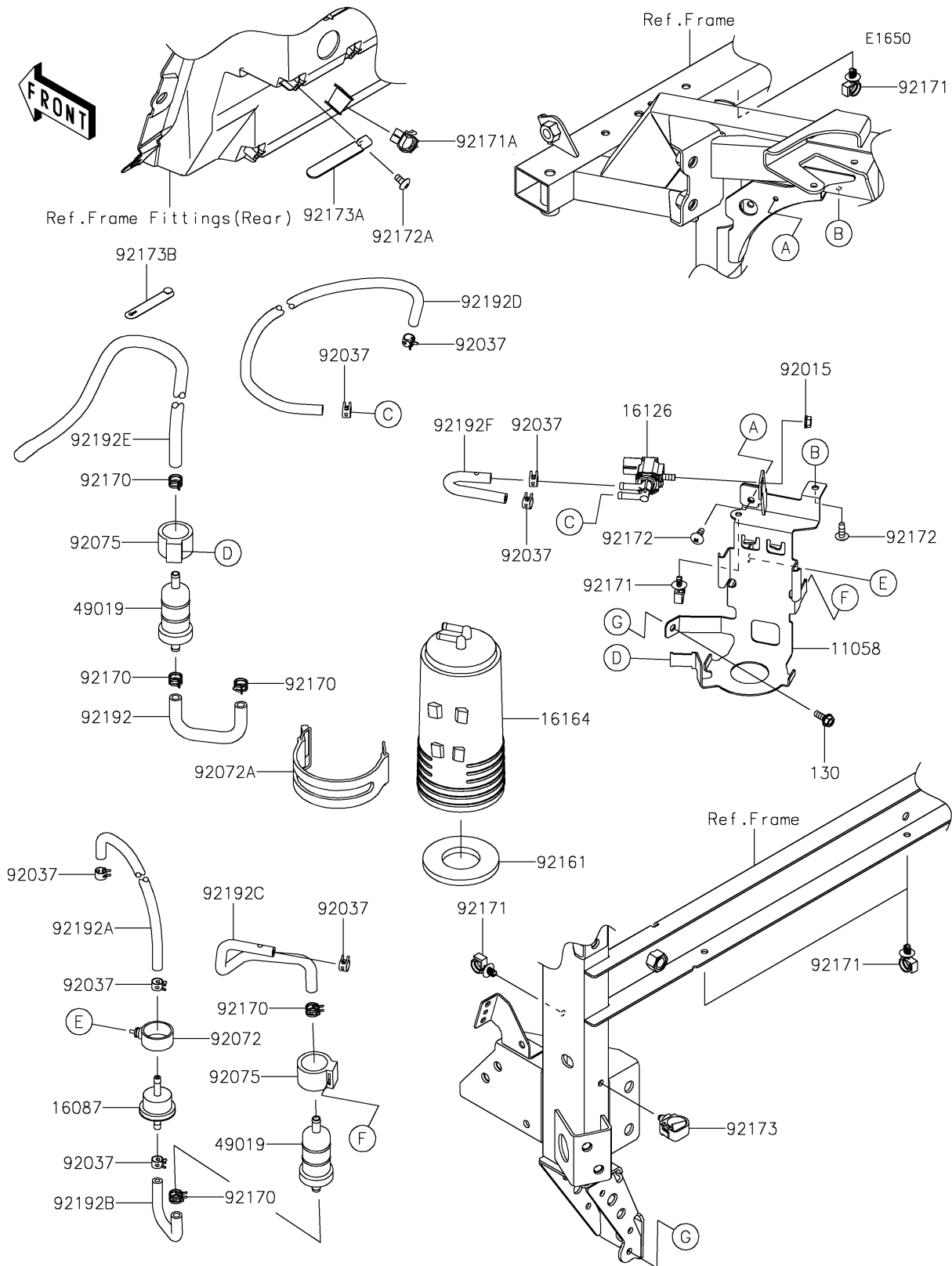


2026 RIDGE CREW Platinum Ranch Edition HVAC

PARTS DIAGRAM

Fuel Evaporative System(CA)



2026 RIDGE CREW Platinum Ranch Edition HVAC

PARTS LIST

Fuel Evaporative System(CA)

ITEM NAME	PART NUMBER	QUANTITY
BRACKET (Ref # 11058)	11058-2123	1
VALVE-CHECK (Ref # 16087)	16087-0011	1
VALVE,SOLENOID (Ref # 16126)	16126-0705	1
CANISTER (Ref # 16164)	16164-0016	1
FILTER-FUEL (Ref # 49019)	49019-0032	2
NUT,FLANGED,6MM (Ref # 92015)	92015-1367	1
CLAMP (Ref # 92037)	92037-2113	8
BAND (Ref # 92072)	92072-0852	1
BAND,L=168 (Ref # 92072A)	92072-1306	1
DAMPER,FUEL FILTER (Ref # 92075)	92075-1853	2
DAMPER (Ref # 92161)	92161-1843	1
CLAMP (Ref # 92170)	92170-2082	5
CLAMP (Ref # 92171)	92171-0453	5
CLAMP,EDGE CLIP (Ref # 92171A)	92171-1722	1
SCREW,TAPPING,6X16 (Ref # 92172)	92172-0739	2
SCREW,6X12 (Ref # 92172A)	92172-0884	1
CLAMP (Ref # 92173)	92173-0861	1
CLAMP (Ref # 92173A)	92173-1056	1
CLAMP (Ref # 92173B)	92173-2199	1
TUBE,FILTER-CANISTER (Ref # 92192)	92192-1665	1
TUBE,TANK-VALVE CHECK (Ref # 92192A)	92192-2653	1
TUBE,VALVE CHECK-FILTER AIR (Ref # 92192B)	92192-2654	1
TUBE,FILTER AIR-CANISTER (Ref # 92192C)	92192-2655	1
TUBE,PURGE VALVE-IN MANIFOLD (Ref # 92192D)	92192-2657	1
TUBE,FILTER AIR-OUTSIDE (Ref # 92192E)	92192-2658	1
TUBE,CANISTER-PURGE VALVE (Ref # 92192F)	92192-2798	1
BOLT-FLANGED,6X16 (Ref # 130)	130BA0616	1