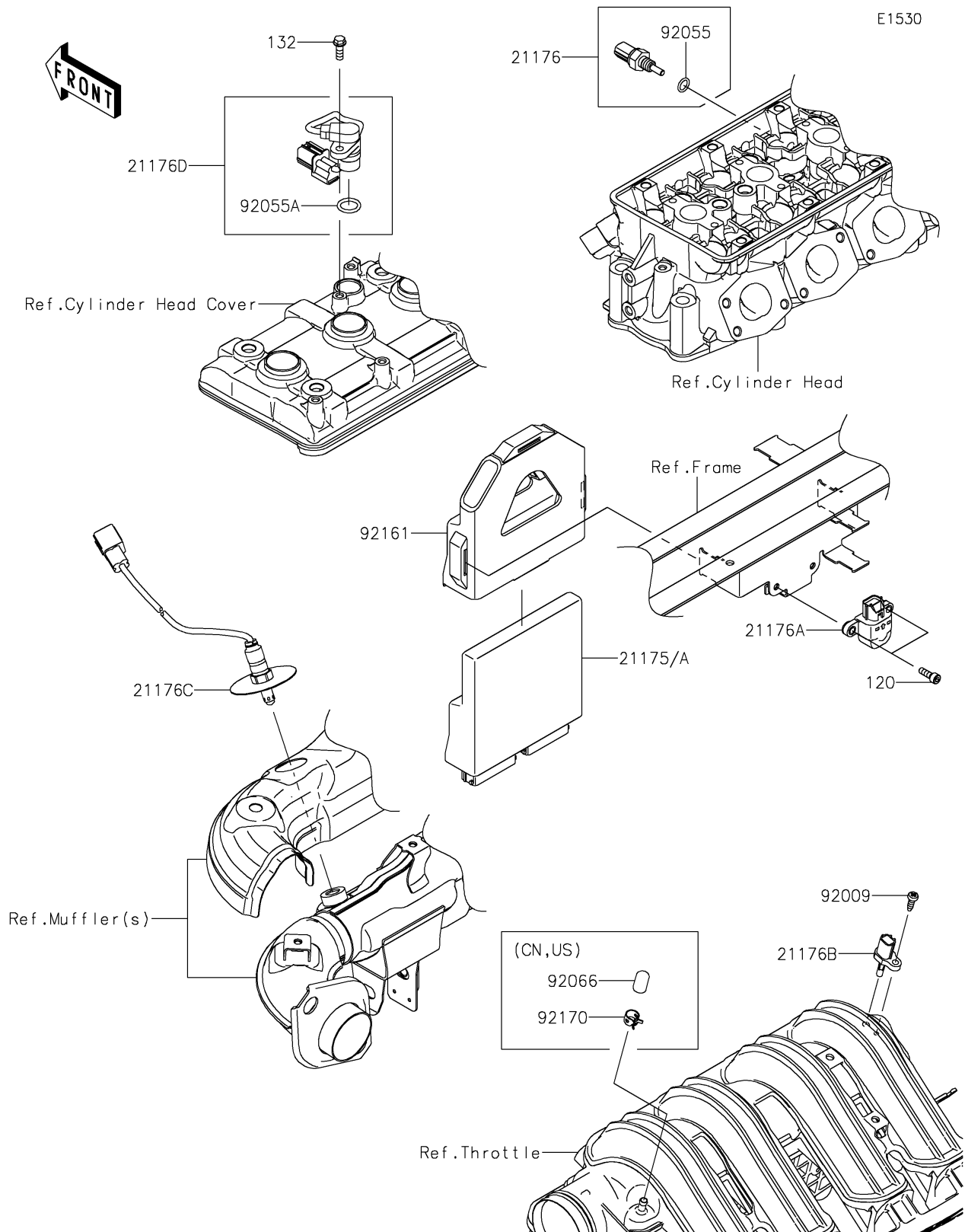


2026 RIDGE® CREW PLATINUM RANCH EDITION HVAC

PARTS DIAGRAM Fuel Injection



2026 RIDGE® CREW PLATINUM RANCH EDITION HVAC



PARTS LIST Fuel Injection

ITEM NAME	PART NUMBER	QUANTITY
-----------	-------------	----------
