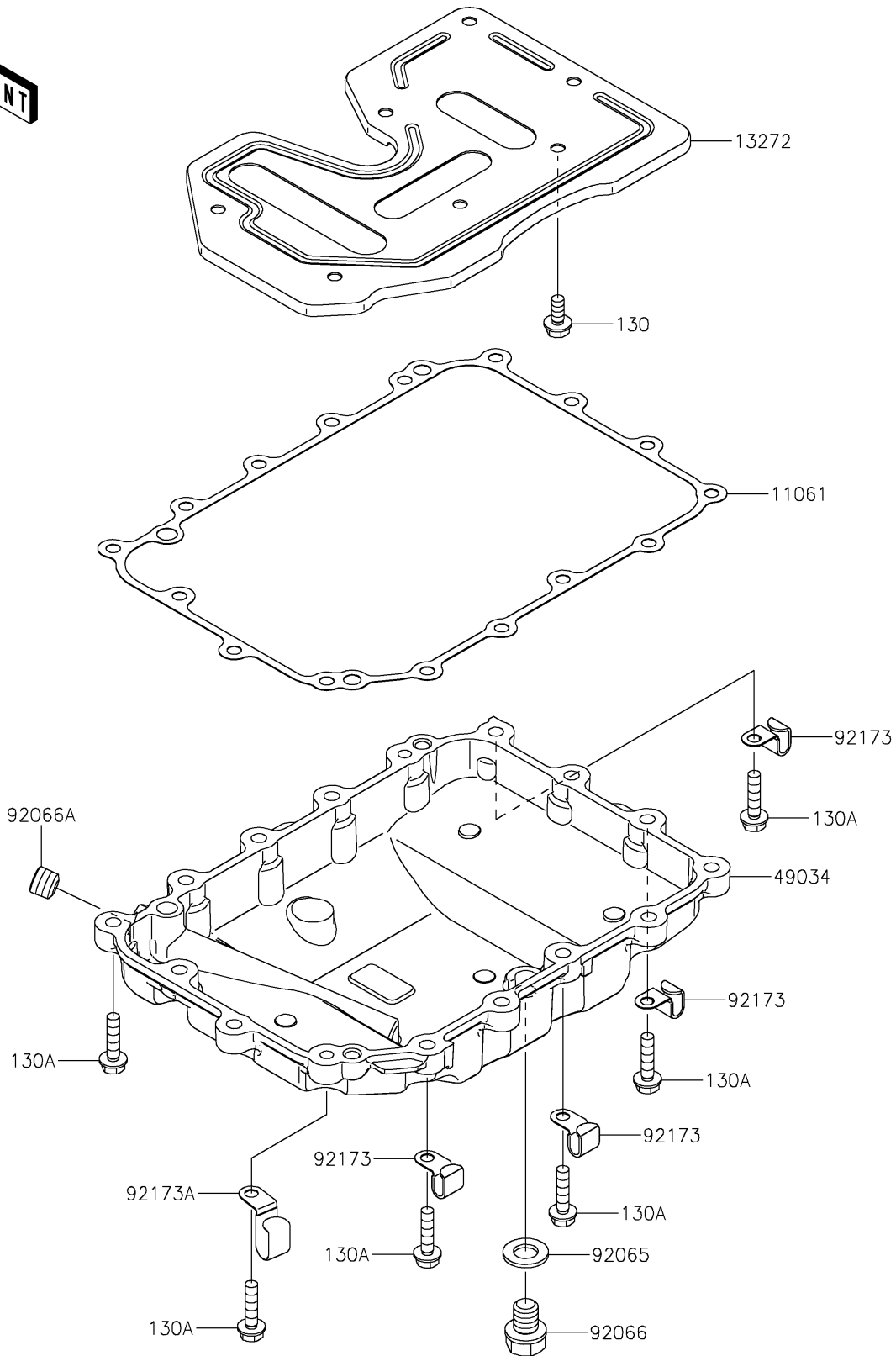


2026 RIDGE CREW Platinum Ranch Edition HVAC

PARTS DIAGRAM

Oil Pan

E1434



2026 RIDGE CREW Platinum Ranch Edition HVAC



PARTS LIST

Oil Pan

ITEM NAME	PART NUMBER	QUANTITY
-----------	-------------	----------
