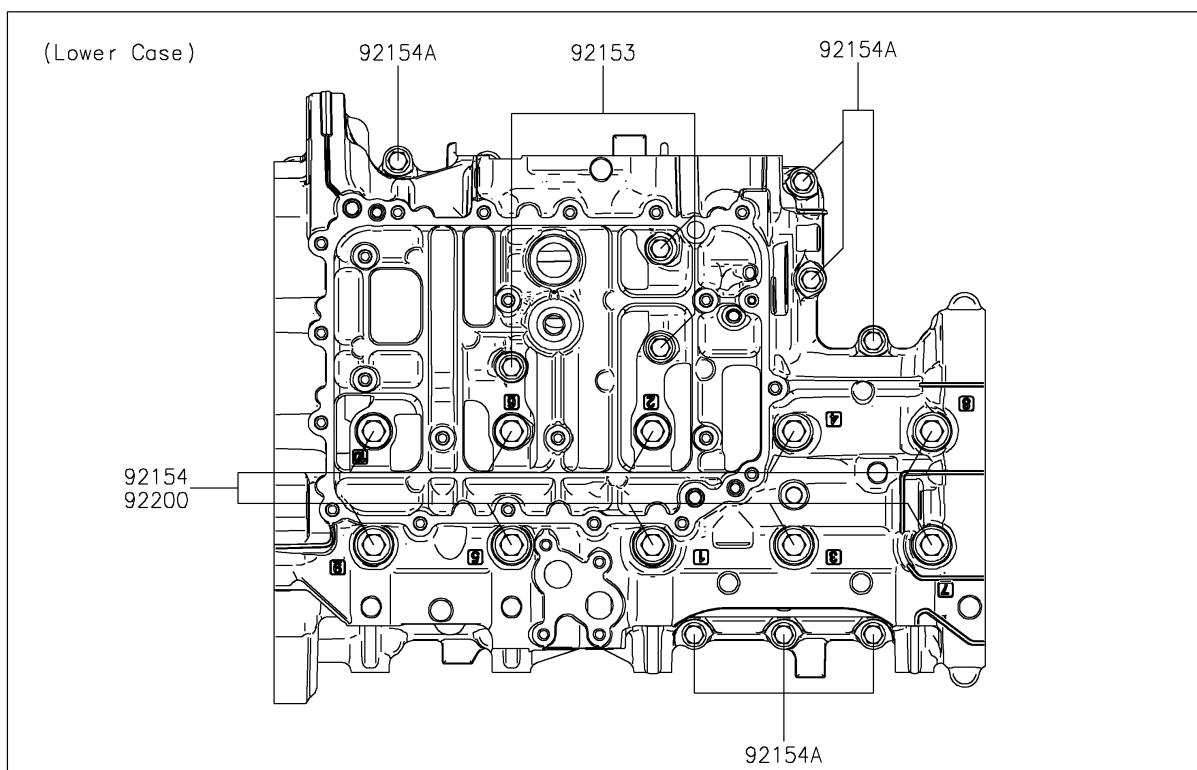
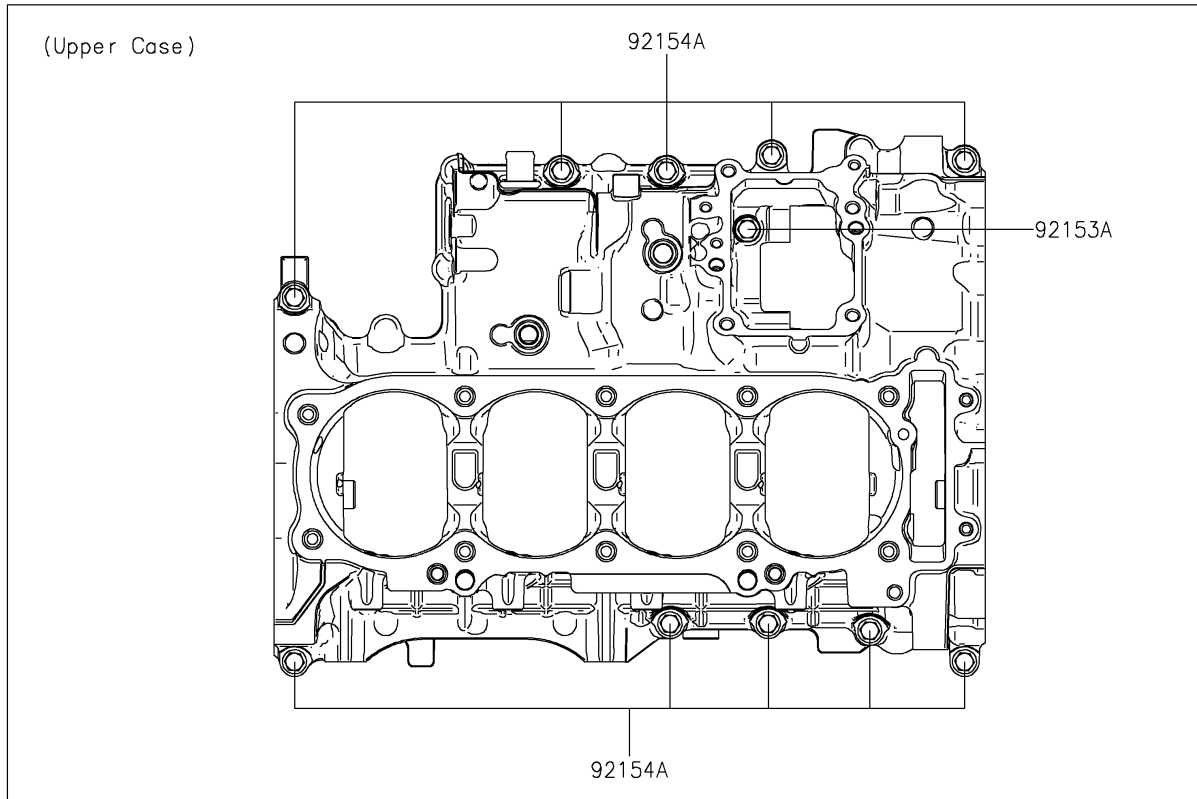


2026 RIDGE® CREW PLATINUM RANCH EDITION HVAC

PARTS DIAGRAM

Crankcase Bolt Pattern

E1412



2026 RIDGE® CREW PLATINUM RANCH EDITION HVAC



PARTS LIST

Crankcase Bolt Pattern

| ITEM NAME | PART NUMBER | QUANTITY |
|------------------------------------|-------------|----------|
| BOLT,FLANGED,7X85 (Ref # 92153) | 92153-1043 | 3 |
| BOLT,FLANGED,7X60 (Ref # 92153A) | 92153-1045 | 1 |
| BOLT,FLANGED,10X100 (Ref # 92154) | 92154-1446 | 10 |
| BOLT,7X35 (Ref # 92154A) | 92154-4472 | 17 |
| WASHER,10.2X18.4X1.8 (Ref # 92200) | 92200-0990 | 10 |