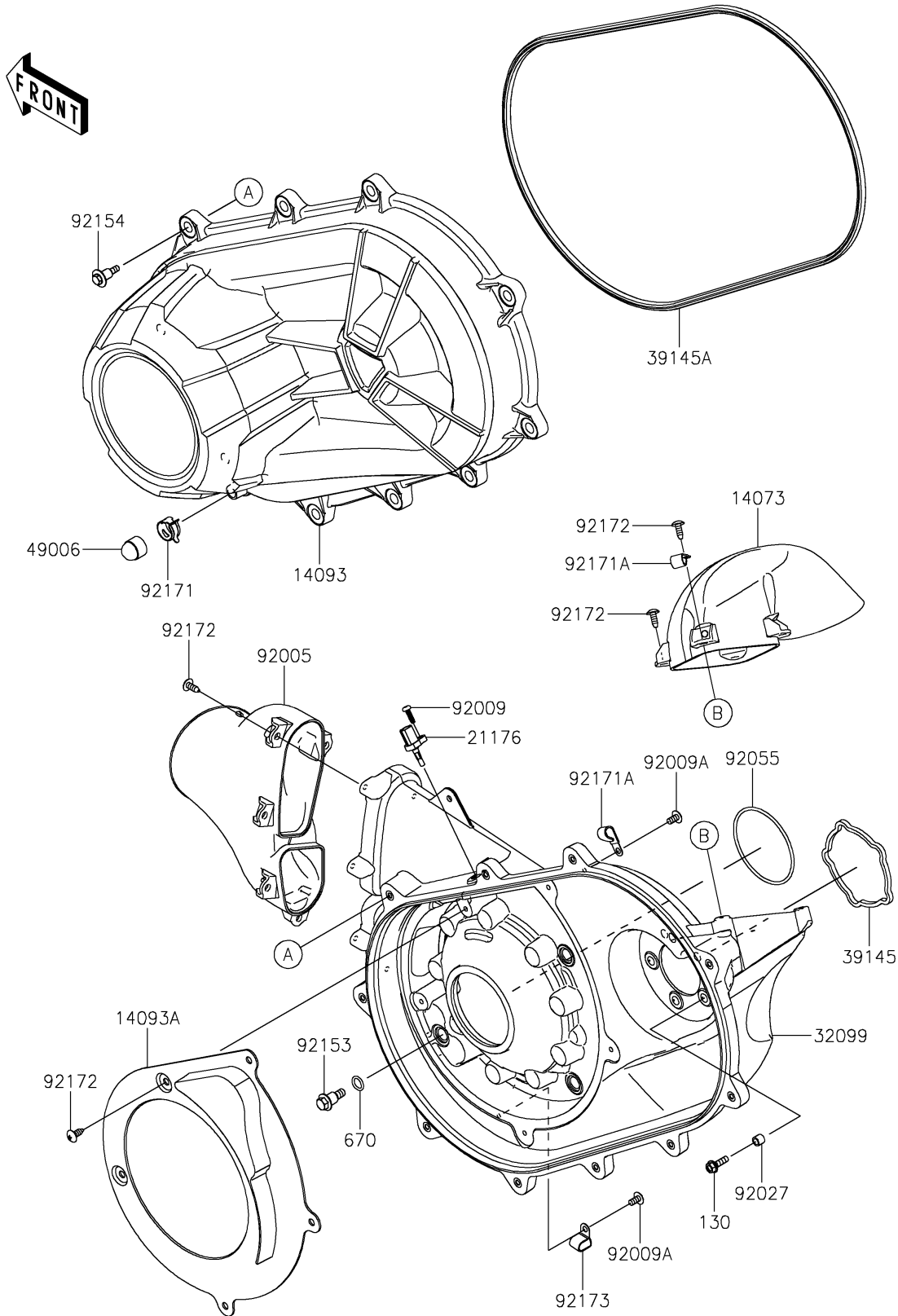


2026 RIDGE CREW Platinum Ranch Edition HVAC

PARTS DIAGRAM

Converter Cover

E1393



2026 RIDGE CREW Platinum Ranch Edition HVAC



PARTS LIST

Converter Cover

| ITEM NAME | PART NUMBER | QUANTITY |
|--------------------------------------|-------------|----------|
| DUCT,EXHAUST (Ref # 14073) | 14073-1915 | 1 |
| COVER,CVT (Ref # 14093) | 14093-1453 | 1 |
| COVER,AIR GUIDE (Ref # 14093A) | 14093-1454 | 1 |
| SENSOR,AIR TEMPERATURE (Ref # 21176) | 21176-0048 | 1 |
| CASE,CVT (Ref # 32099) | 32099-0829 | 1 |
| TRIM-SEAL (Ref # 39145) | 39145-0714 | 1 |
| TRIM-SEAL,CVT COVER (Ref # 39145A) | 39145-0760 | 1 |
| BOOT,DRAIN (Ref # 49006) | 49006-3718 | 1 |
| FITTING,INTAKE (Ref # 92005) | 92005-1450 | 1 |
| SCREW,TAPPING,5X16 (Ref # 92009) | 92009-1264 | 1 |
| SCREW,6X12 (Ref # 92009A) | 92009-1480 | 2 |
| COLLAR,6.8X10X8.5 (Ref # 92027) | 92027-129 | 5 |
| RING-O,84.4X3.1 (Ref # 92055) | 92055-0916 | 1 |
| BOLT,8X26.5 (Ref # 92153) | 92153-0594 | 4 |
| BOLT,CVT COVER (Ref # 92154) | 92154-1522 | 10 |
| CLAMP (Ref # 92171) | 92171-0329 | 1 |
| CLAMP (Ref # 92171A) | 92171-0739 | 2 |
| SCREW,6X16 (Ref # 92172) | 92172-0284 | 14 |
| CLAMP (Ref # 92173) | 92173-2439 | 1 |
| BOLT-FLANGED,6X20 (Ref # 130) | 130BA0620 | 5 |
| O RING,12MM (Ref # 670) | 670D2012 | 4 |