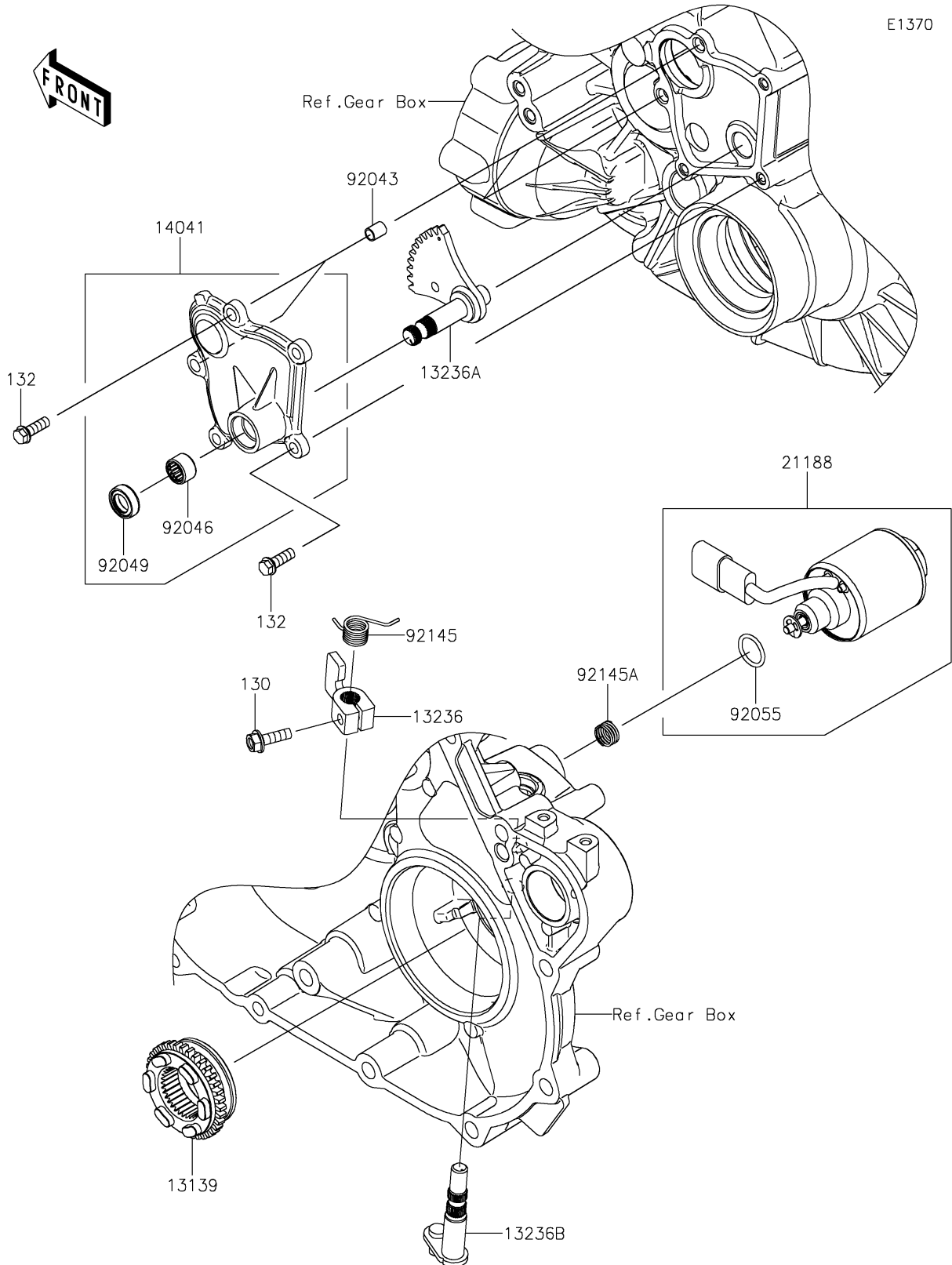


2026 RIDGE® CREW PLATINUM RANCH EDITION HVAC

PARTS DIAGRAM

Gear Change Mechanism



2026 RIDGE® CREW PLATINUM RANCH EDITION HVAC



PARTS LIST

Gear Change Mechanism

ITEM NAME	PART NUMBER	QUANTITY
-----------	-------------	----------
