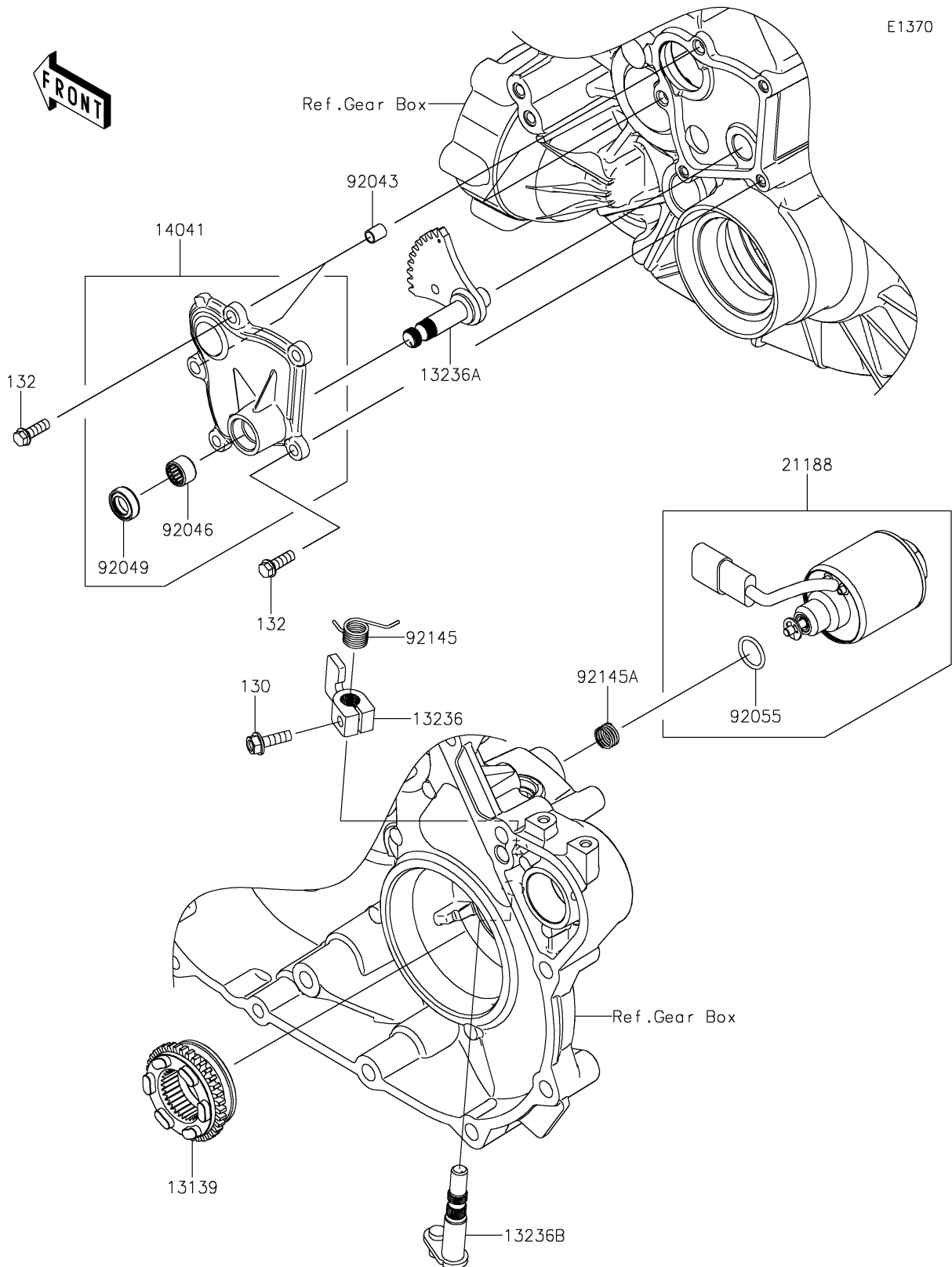


2026 RIDGE CREW Platinum Ranch Edition HVAC

PARTS DIAGRAM

Gear Change Mechanism



2026 RIDGE CREW Platinum Ranch Edition HVAC

PARTS LIST

Gear Change Mechanism

ITEM NAME	PART NUMBER	QUANTITY
SHIFTER,36T (Ref # 13139)	13139-0041	1
LEVER-COMP,DIFF LOCK (Ref # 13236)	13236-0745	1
LEVER-COMP (Ref # 13236A)	13236-0816	1
LEVER-COMP (Ref # 13236B)	13236-0852	1
COVER-COMP (Ref # 14041)	14041-0614	1
SOLENOID (Ref # 21188)	21188-0010	1
PIN,DOWEL,8X10 (Ref # 92043)	92043-1302	2
BEARING-NEEDLE,HK1210FM (Ref # 92046)	92046-0034	1
SEAL-OIL,CLUTCH RELEASE (Ref # 92049)	92049-1475	1
RING-O (Ref # 92055)	92055-0829	1
SPRING (Ref # 92145)	92145-1572	1
SPRING (Ref # 92145A)	92145-1573	1
BOLT-FLANGED,6X20 (Ref # 130)	130BA0620	1
BOLT-FLANGED-SMALL,6X18 (Ref # 132)	132BA0618	5