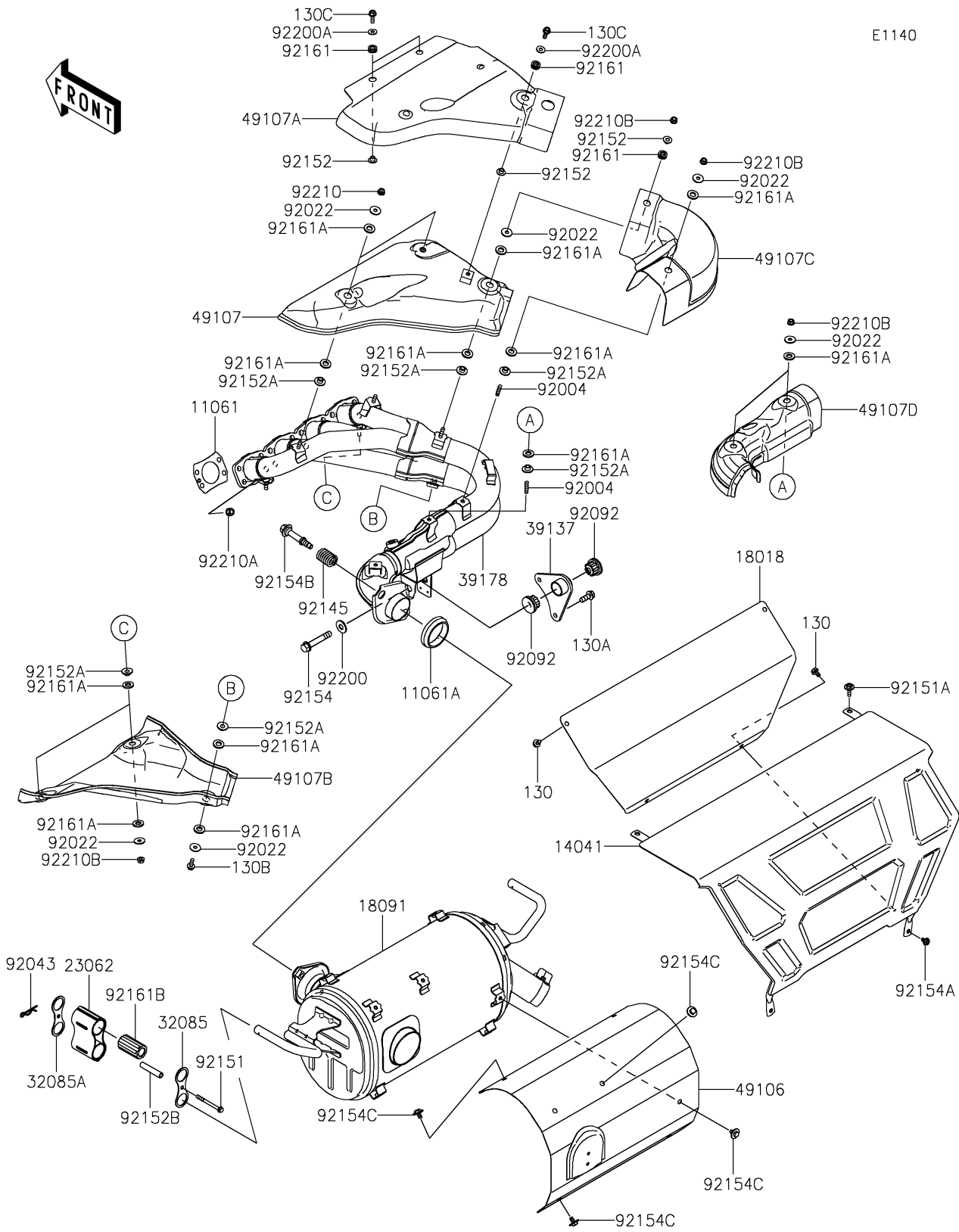


2026 RIDGE® CREW PLATINUM RANCH EDITION HVAC

PARTS DIAGRAM

Muffler(s)



2026 RIDGE® CREW PLATINUM RANCH EDITION HVAC



PARTS LIST

Muffler(s)

ITEM NAME	PART NUMBER	QUANTITY
-----------	-------------	----------
