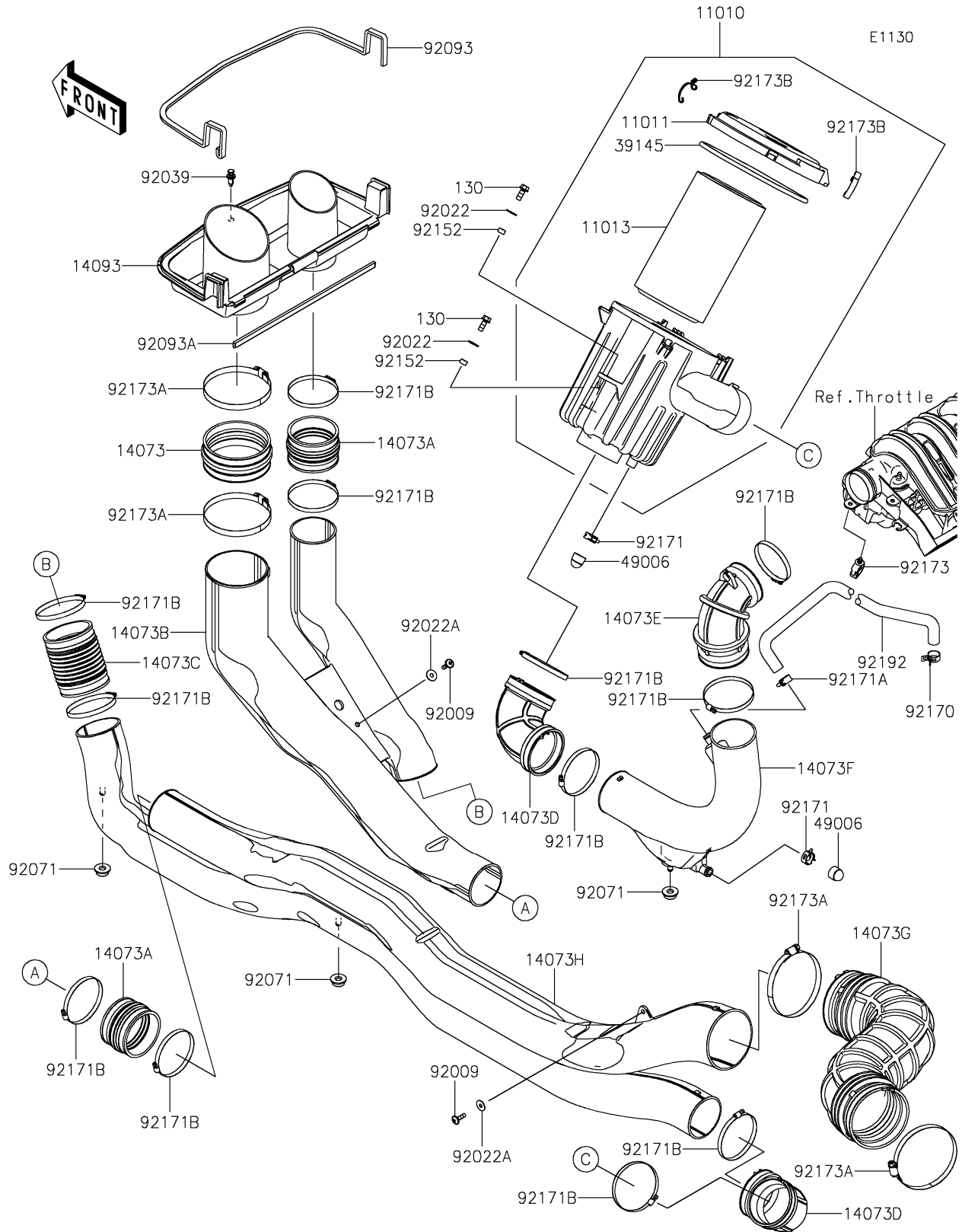


2026 RIDGE® CREW PLATINUM RANCH EDITION HVAC

PARTS DIAGRAM

Air Cleaner



2026 RIDGE® CREW PLATINUM RANCH EDITION HVAC



PARTS LIST

Air Cleaner

ITEM NAME	PART NUMBER	QUANTITY
-----------	-------------	----------
