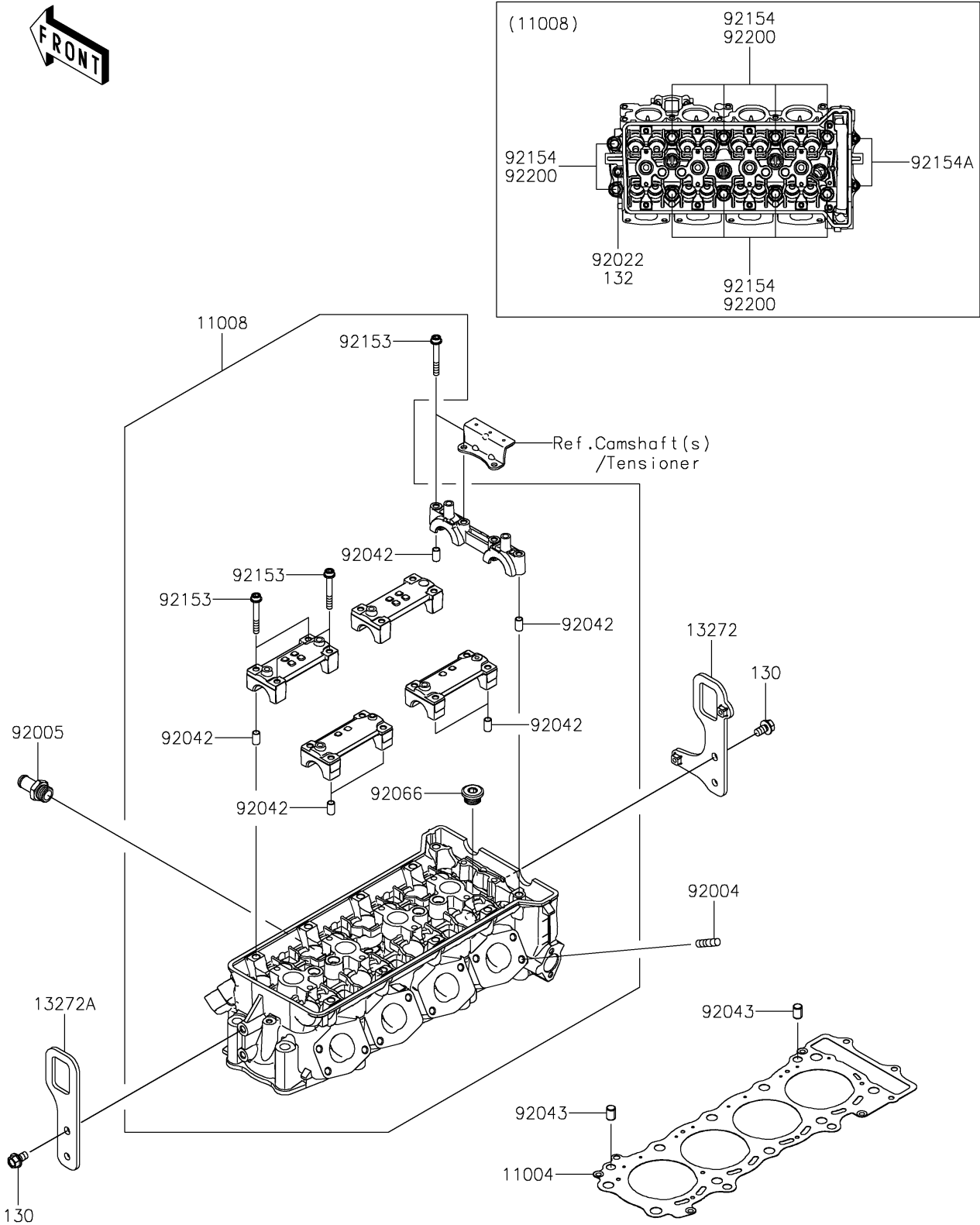


2026 RIDGE® CREW PLATINUM RANCH EDITION HVAC

PARTS DIAGRAM Cylinder Head

E1111



2026 RIDGE® CREW PLATINUM RANCH EDITION HVAC



PARTS LIST Cylinder Head

ITEM NAME	PART NUMBER	QUANTITY
-----------	-------------	----------
