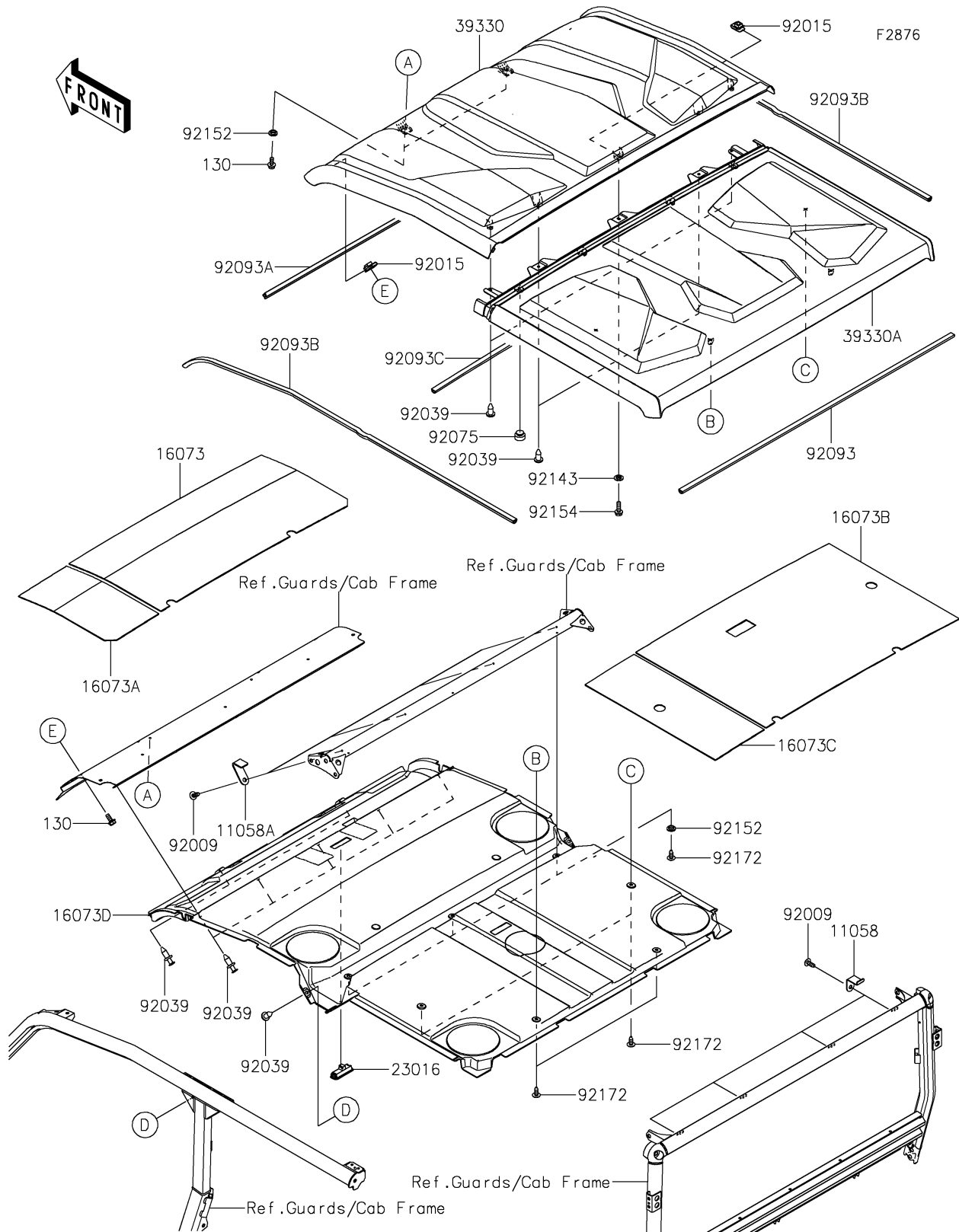


# 2026 RIDGE CREW HVAC Camo

## PARTS DIAGRAM

### Sun Top



# 2026 RIDGE CREW HVAC Camo

## PARTS LIST

Sun Top

ITEM NAME	PART NUMBER	QUANTITY
-----------	-------------	----------

---