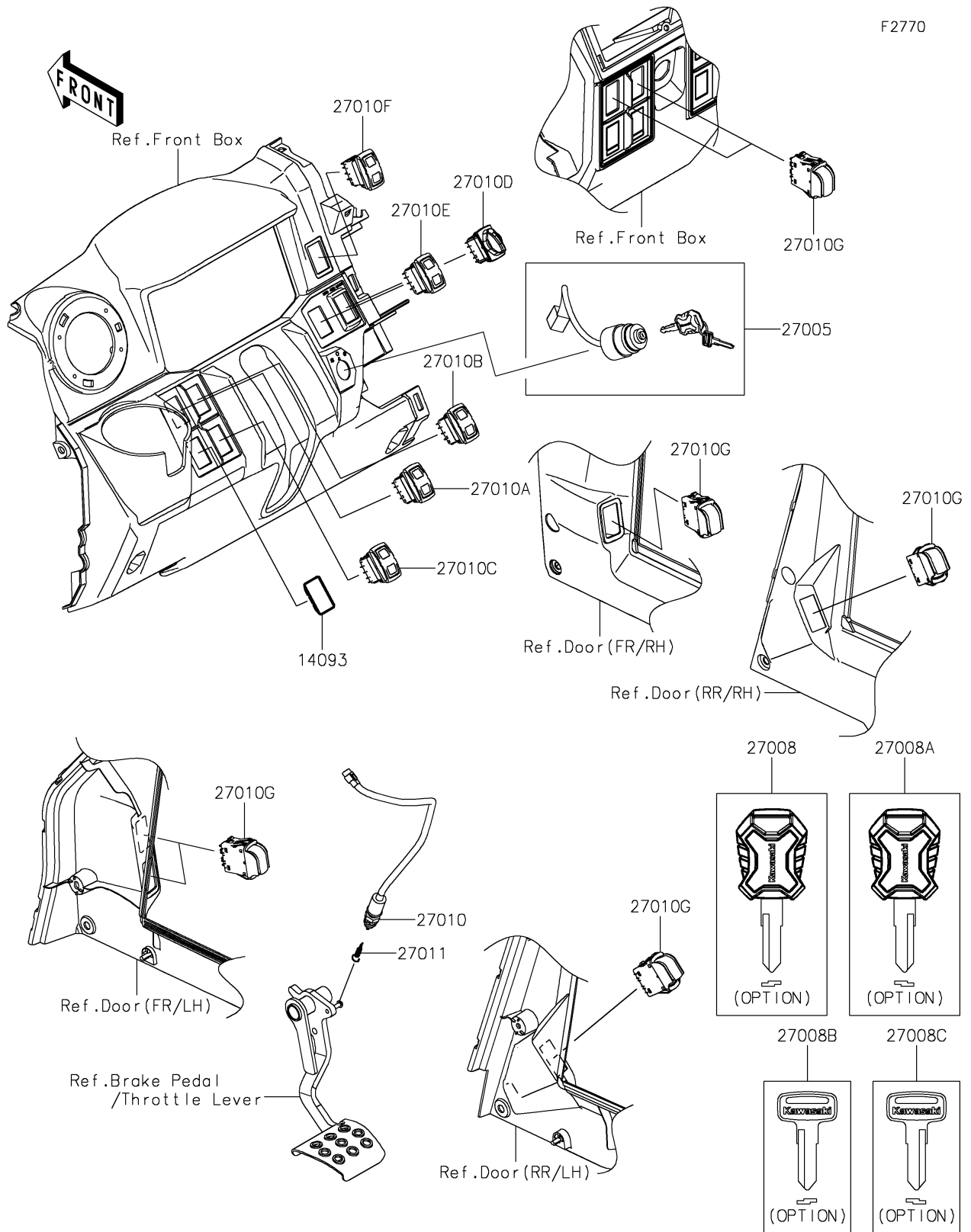


2026 RIDGE® CREW HVAC

PARTS DIAGRAM

Ignition Switch



2026 RIDGE® CREW HVAC

PARTS LIST Ignition Switch



ITEM NAME	PART NUMBER	QUANTITY
-----------	-------------	----------
