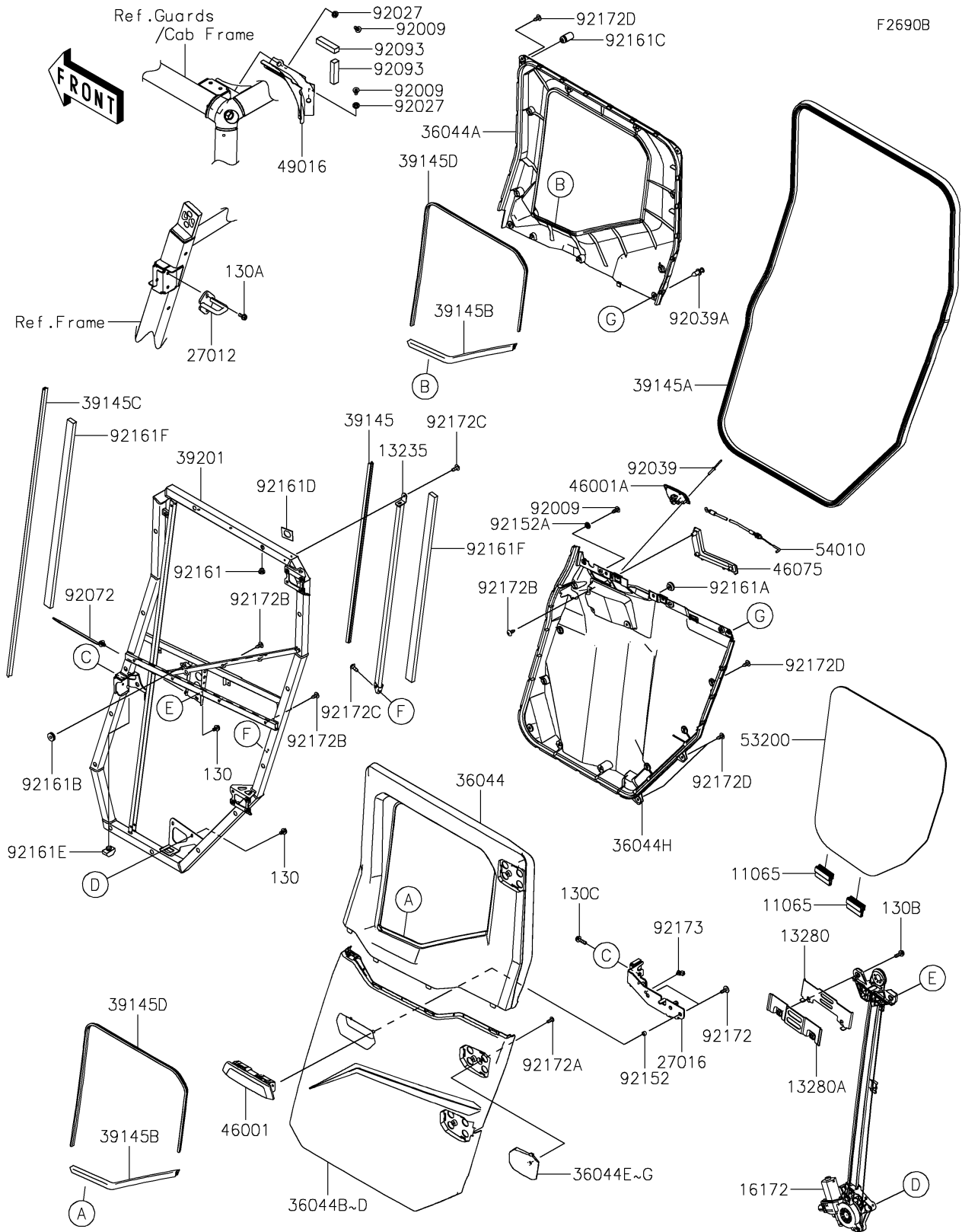


2026 RIDGE CREW HVAC

PARTS DIAGRAM

Door(RR/LH)



2026 RIDGE CREW HVAC

PARTS LIST

Door(RR/LH)

ITEM NAME

PART NUMBER

QUANTITY
