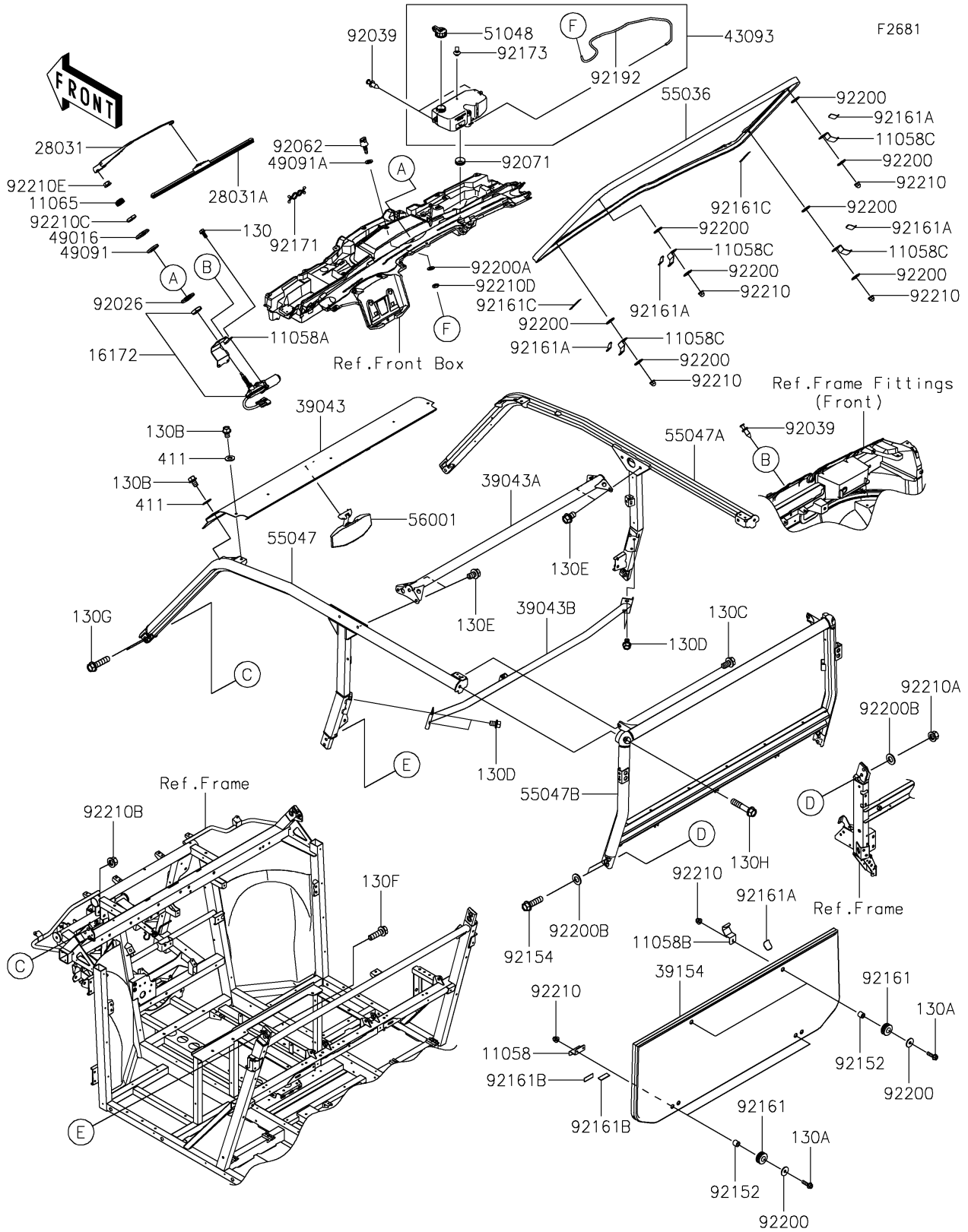


2026 RIDGE® CREW HVAC CAMO

PARTS DIAGRAM

Guards/Cab Frame



2026 RIDGE® CREW HVAC CAMO

PARTS LIST

Guards/Cab Frame

| ITEM NAME | PART NUMBER | QUANTITY |
|---|----------------|----------|
| BRACKET,WINDSHIELD MOUNT,LWR (Ref # 11058) | 11058-0288 | 2 |
| BRACKET,WIPER ACTUATOR (Ref # 11058A) | 11058-2306 | 1 |
| BRACKET,WINDSHIELD MOUNT (Ref # 11058B) | 11058-2330 | 2 |
| BRACKET,WINDSHIELD MOUNT (Ref # 11058C) | 11058-2798 | 4 |
| CAP,ACTUATOR (Ref # 11065) | 11065-1495 | 1 |
| ACTUATOR,WIPER (Ref # 16172) | 16172-0575 | 1 |
| WIPER,ARM (Ref # 28031) | 28031-0006 | 1 |
| WIPER,BLADE (Ref # 28031A) | 28031-0007 | 1 |
| CROSSMEMBER-COMP,UPP,FR,T.BLK (Ref # 39043) | 39043-0037-388 | 1 |
| CROSSMEMBER-COMP,B-P,UPP,T.BLK (Ref # 39043A) | 39043-0044-388 | 1 |
| CROSSMEMBER-COMP,B-P,MID,T.BLK (Ref # 39043B) | 39043-0350-388 | 1 |
| WINDSHIELD,RR (Ref # 39154) | 39154-0419 | 1 |
| RESERVOIR-ASSY-TANK,WASHER (Ref # 43093) | 43093-0013 | 1 |
| COVER-SEAL (Ref # 49016) | 49016-0722 | 1 |
| WASHER-SEAL (Ref # 49091) | 49091-0014 | 1 |
| WASHER-SEAL (Ref # 49091A) | 49091-0015 | 1 |
| CAP-ASSY-TANK,RESERVOIR (Ref # 51048) | 51048-0614 | 1 |
| WINDSHIELD-ASSY,FR (Ref # 55036) | 55036-0070 | 1 |
| BAR-COMP,A/B-PILLAR,LH,T.BLACK (Ref # 55047) | 55047-0465-388 | 1 |
| BAR-COMP,A/B-PILLAR,RH,T.BLACK (Ref # 55047A) | 55047-0466-388 | 1 |
| BAR-COMP,C-PILLAR,T.BLACK (Ref # 55047B) | 55047-0467-388 | 1 |
| MIRROR-ASSY,REAR VIEW (Ref # 56001) | 56001-0447 | 1 |
| SPACER,16.3X35X3.6 (Ref # 92026) | 92026-0973 | 1 |
| RIVET (Ref # 92039) | 92039-0776 | 3 |
| NOZZLE,SPRAY (Ref # 92062) | 92062-0588 | 1 |
| GROMMET (Ref # 92071) | 92071-1115 | 1 |
| COLLAR,6.5X12X11 (Ref # 92152) | 92152-0692 | 6 |
| BOLT,FLANGED,12X50 (Ref # 92154) | 92154-7768 | 4 |
| DAMPER (Ref # 92161) | 92161-2500 | 6 |

2026 RIDGE® CREW HVAC CAMO

PARTS LIST

Guards/Cab Frame

| ITEM NAME | PART NUMBER | QUANTITY |
|------------------------------------|-------------|----------|
| DAMPER,45X35X1.5 (Ref # 92161A) | 92161-2600 | 6 |
| DAMPER,20X56X1.5 (Ref # 92161B) | 92161-2639 | 4 |
| DAMPER,100X15X1 (Ref # 92161C) | 92161-2650 | 2 |
| CLAMP (Ref # 92171) | 92171-0476 | 1 |
| CLAMP,RESERVOIR TANK (Ref # 92173) | 92173-2872 | 1 |
| TUBE,4X8X830 (Ref # 92192) | 92192-2824 | 1 |
| WASHER,6.5X22X1.6 (Ref # 92200) | 92200-1087 | 14 |
| WASHER,8.4X16X1.6 (Ref # 92200A) | 92200-2705 | 1 |
| WASHER,13.8X26X2.3 (Ref # 92200B) | 92200-2830 | 8 |
| NUT,CAP,6MM (Ref # 92210) | 92210-0003 | 10 |
| NUT,12MM (Ref # 92210A) | 92210-0603 | 4 |
| NUT,FLANGED,12MM (Ref # 92210B) | 92210-1932 | 4 |
| NUT,HEX,16MM (Ref # 92210C) | 92210-2208 | 2 |
| NUT,HEX,8MM (Ref # 92210D) | 92210-2209 | 1 |
| NUT,FLANGED,8MM (Ref # 92210E) | 92210-2215 | 1 |
| BOLT-FLANGED,6X14 (Ref # 130) | 130BA0614 | 2 |
| BOLT-FLANGED,6X22 (Ref # 130A) | 130BB0622 | 6 |
| BOLT-FLANGED,10X14 (Ref # 130B) | 130CA1014 | 4 |
| BOLT-FLANGED,12X22 (Ref # 130C) | 130CA1222 | 2 |
| BOLT-FLANGED,10X14 (Ref # 130D) | 130CB1014 | 4 |
| BOLT-FLANGED,12X20 (Ref # 130E) | 130CB1220 | 4 |
| BOLT-FLANGED,12X40 (Ref # 130F) | 130CB1240 | 4 |
| BOLT-FLANGED,12X50 (Ref # 130G) | 130CB1250 | 4 |
| BOLT-FLANGED,12X60 (Ref # 130H) | 130CB1260 | 2 |
| WASHER-PLAIN,10MM (Ref # 411) | 411AA1000 | 4 |