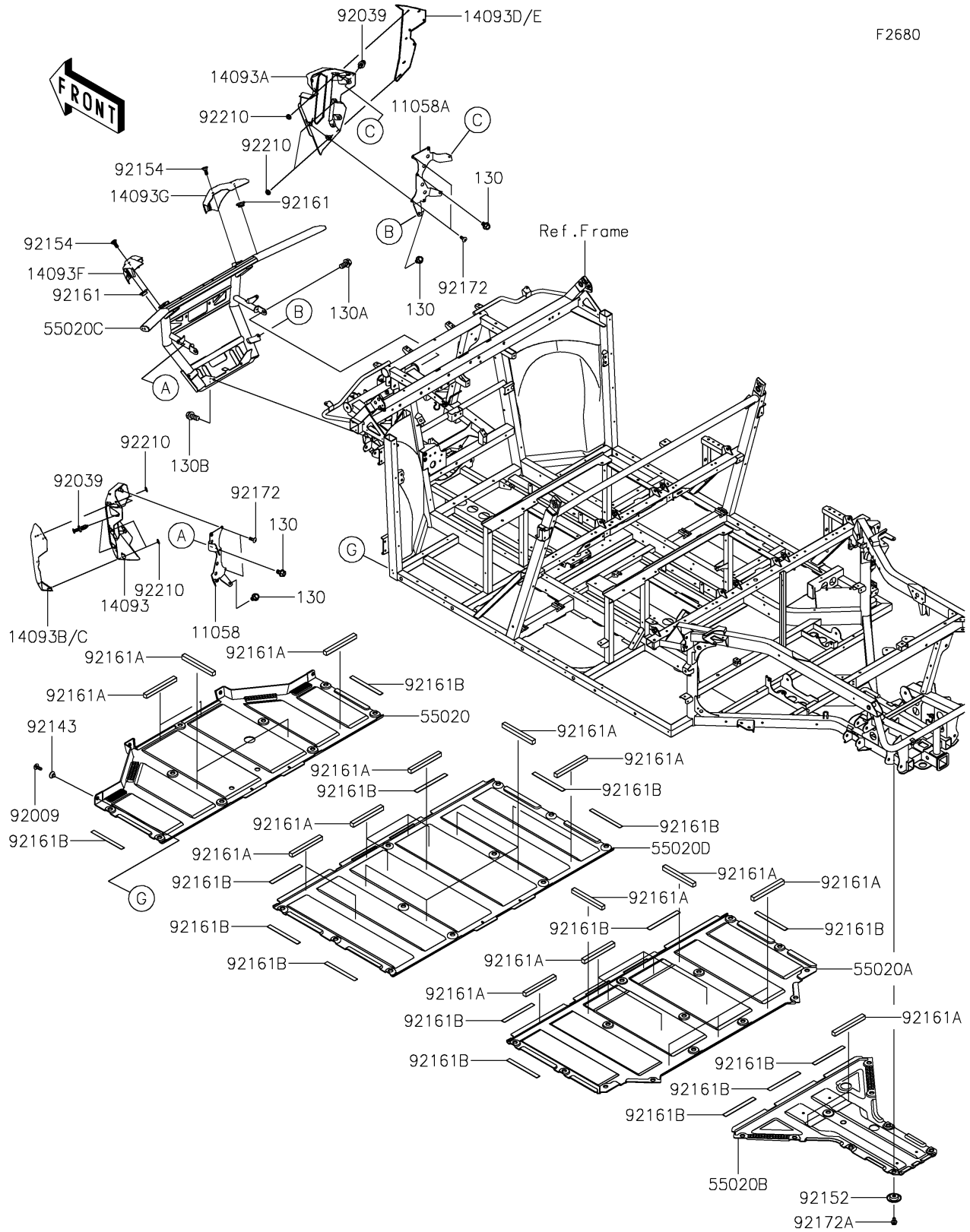


2026 RIDGE® CREW HVAC

PARTS DIAGRAM

Guard(s)



2026 RIDGE® CREW HVAC

PARTS LIST

Guard(s)

ITEM NAME

PART NUMBER

QUANTITY
