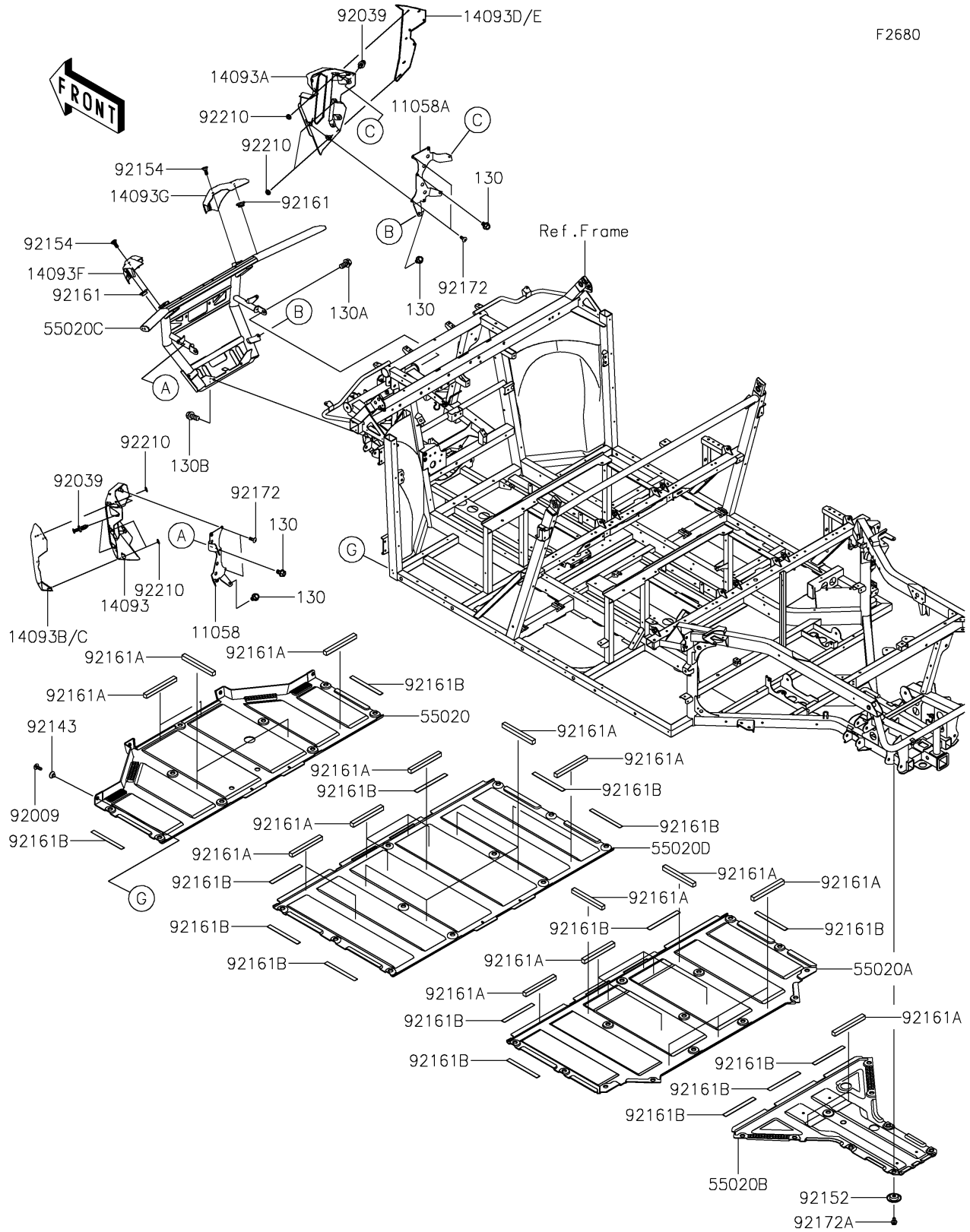


# 2026 RIDGE CREW HVAC

## PARTS DIAGRAM

### Guard(s)



F2680

# 2026 RIDGE CREW HVAC

## PARTS LIST

### Guard(s)

ITEM NAME	PART NUMBER	QUANTITY
BRACKET,ACCENT LAMP,LH (Ref # 11058)	11058-0443	1
BRACKET,ACCENT LAMP,RH (Ref # 11058A)	11058-0444	1
COVER,ACCENT LAMP,LH,FR (Ref # 14093)	14093-1414	1
COVER,ACCENT LAMP,RH,FR (Ref # 14093A)	14093-1415	1
COVER,ACCENT LAMP,LH,RR,BLACK (Ref # 14093B)	14093-1416-66E	1
COVER,ACCENT LAMP,RH,RR,BLACK (Ref # 14093D)	14093-1417-66E	1
COVER,FR GUARD,LH,BLACK (Ref # 14093F)	14093-1431-6Z	1
COVER,FR GUARD,RH,BLACK (Ref # 14093G)	14093-1432-6Z	1
GUARD,SKID PLATE,FR (Ref # 55020)	55020-2415	1
GUARD,SKID PLATE,CNT (Ref # 55020A)	55020-2416	1
GUARD,SKID PLATE,RR (Ref # 55020B)	55020-2417	1
GUARD,FR BUMPER,T.BLACK (Ref # 55020C)	55020-2423-388	1
GUARD,SKID PLATE,CNT,FR (Ref # 55020D)	55020-2481	1
SCREW,TAPPING,6X16 (Ref # 92009)	92009-1166	4
RIVET (Ref # 92039)	92039-0776	4
COLLAR (Ref # 92143)	92143-1057	4
COLLAR (Ref # 92152)	92152-0784	43
BOLT (Ref # 92154)	92154-3957	2
DAMPER (Ref # 92161)	92161-1531	2
DAMPER,20X200X20 (Ref # 92161A)	92161-2633	32
DAMPER,20X200X1.5 (Ref # 92161B)	92161-2634	15
SCREW,TAPPING,5X14 (Ref # 92172)	92172-0265	4
SCREW,6X10 (Ref # 92172A)	92172-1549	43
NUT (Ref # 92210)	92210-1796	8
BOLT-FLANGED,8X12 (Ref # 130)	130BA0812	4
BOLT-FLANGED,10X18 (Ref # 130A)	130BA1018	2
BOLT-FLANGED,10X22 (Ref # 130B)	130BB1022	2