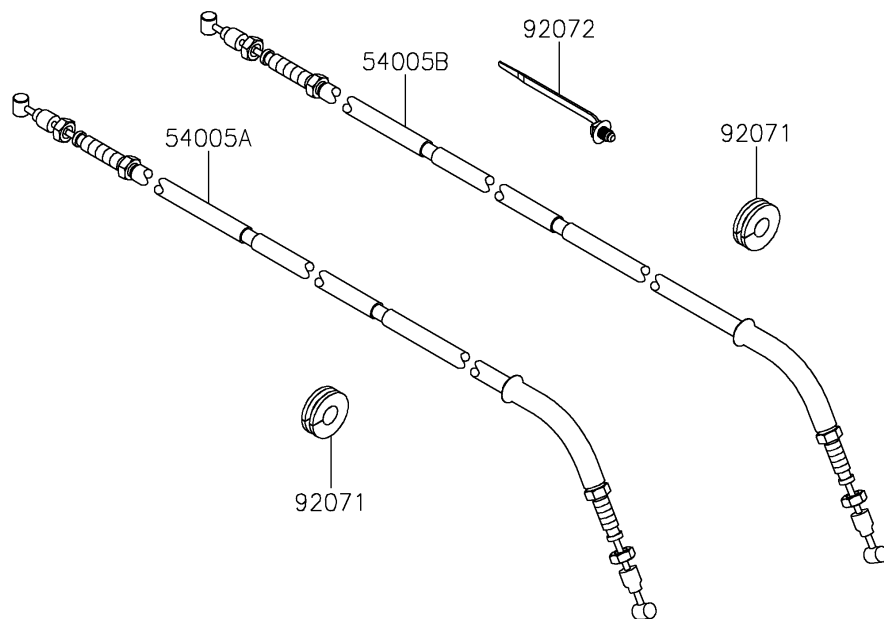
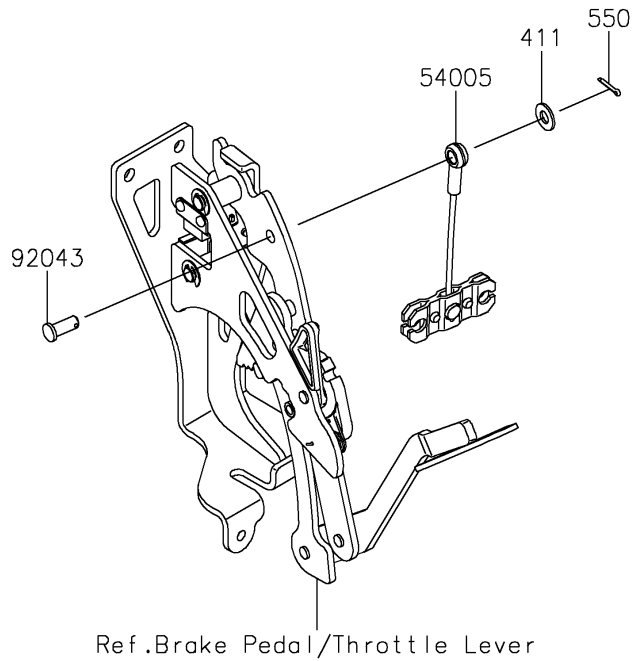


# 2026 RIDGE CREW HVAC Camo

## PARTS DIAGRAM

### Cables

F2540



# 2026 RIDGE CREW HVAC Camo

## PARTS LIST

### Cables

ITEM NAME	PART NUMBER	QUANTITY
-----------	-------------	----------

---