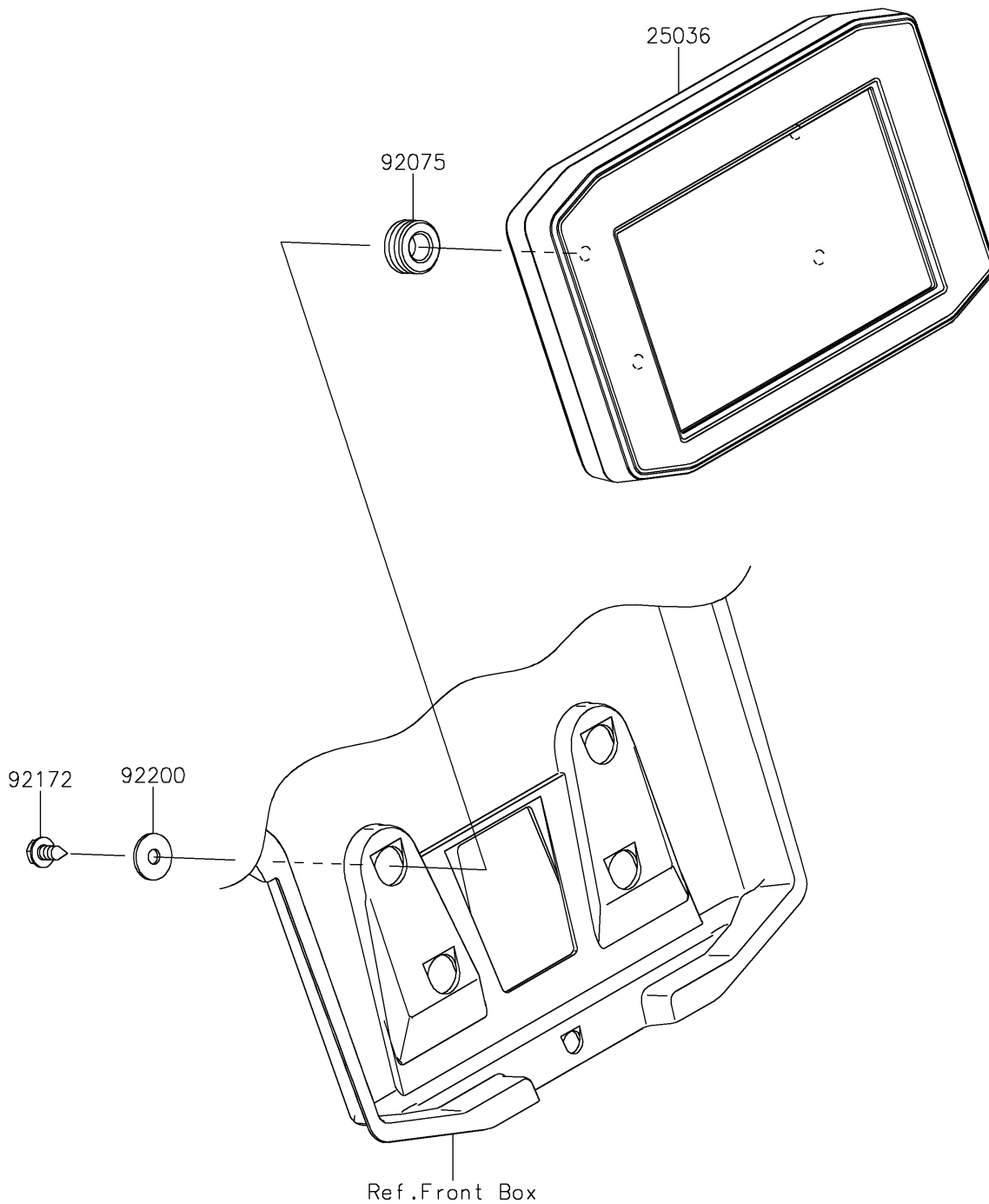


2026 RIDGE® CREW HVAC

PARTS DIAGRAM

Meter(s)

F2530



2026 RIDGE® CREW HVAC

PARTS LIST

Meter(s)

ITEM NAME

PART NUMBER

QUANTITY
