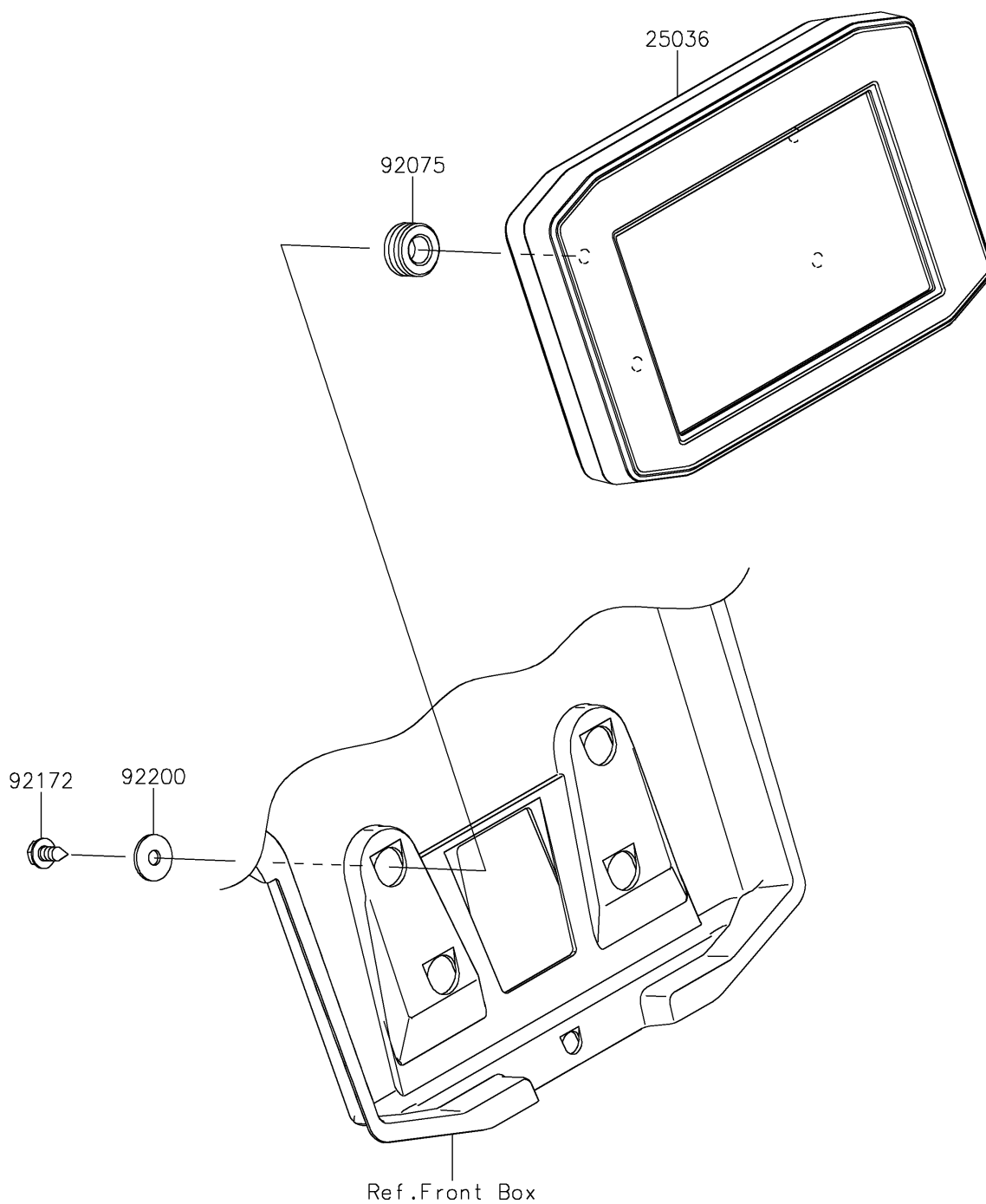


2026 RIDGE CREW HVAC

PARTS DIAGRAM

Meter(s)

F2530



2026 RIDGE CREW HVAC

PARTS LIST

Meter(s)



ITEM NAME	PART NUMBER	QUANTITY
-----------	-------------	----------
