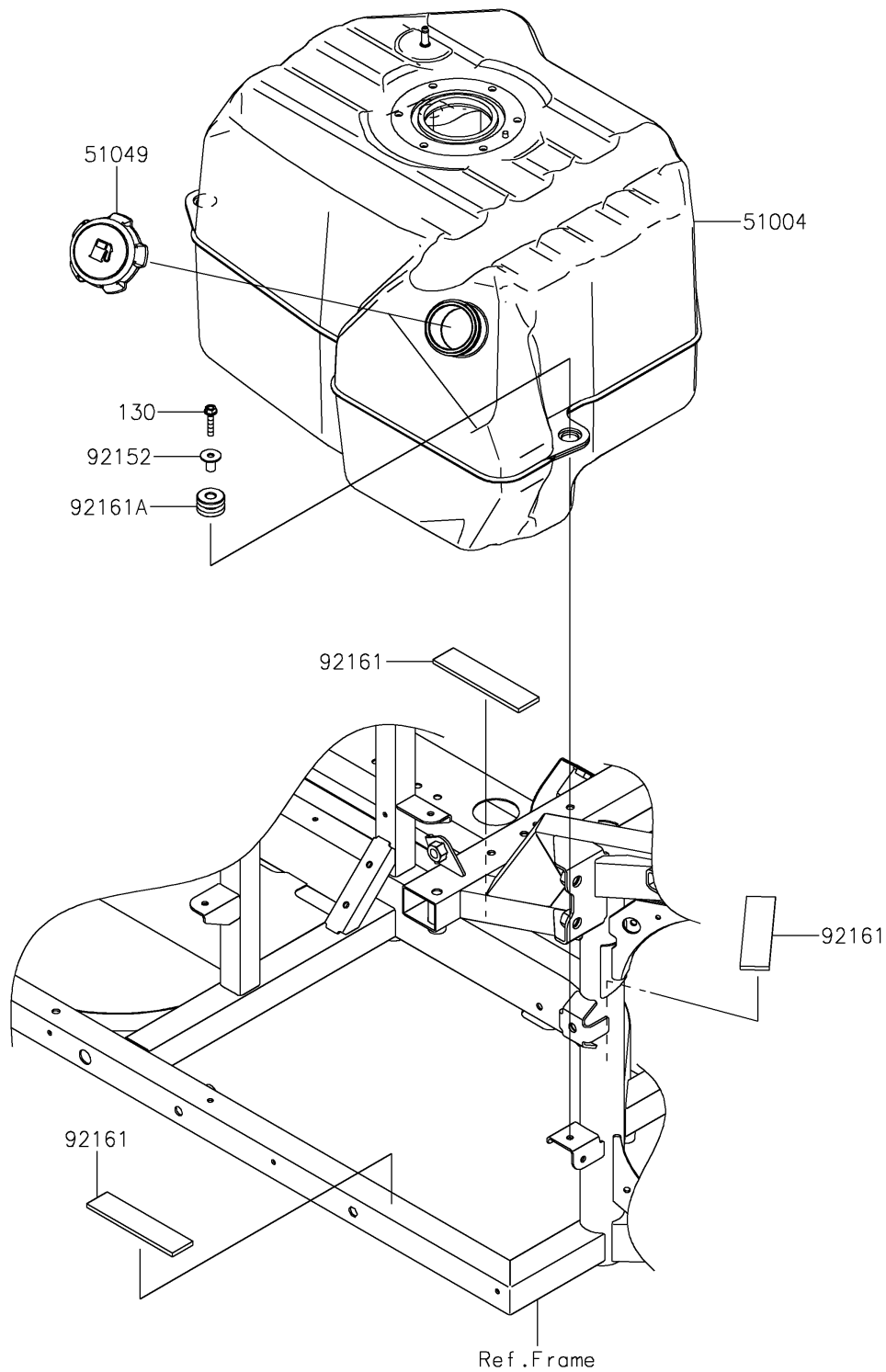


2026 RIDGE® CREW HVAC CAMO

PARTS DIAGRAM

Fuel Tank(CA)

F2410A



2026 RIDGE® CREW HVAC CAMO

PARTS LIST

Fuel Tank(CA)

| ITEM NAME | PART NUMBER | QUANTITY |
|----------------------------------|-------------|----------|
| TANK-FUEL (Ref # 51004) | 51004-0727 | 1 |
| CAP-TANK,FUEL (Ref # 51049) | 51049-0718 | 1 |
| COLLAR,6.8X10X18.1 (Ref # 92152) | 92152-1867 | 3 |
| DAMPER,31.1X130X5 (Ref # 92161) | 92161-0936 | 3 |
| DAMPER,TANK (Ref # 92161A) | 92161-2178 | 3 |
| BOLT-FLANGED,6X30 (Ref # 130) | 130BA0630 | 3 |