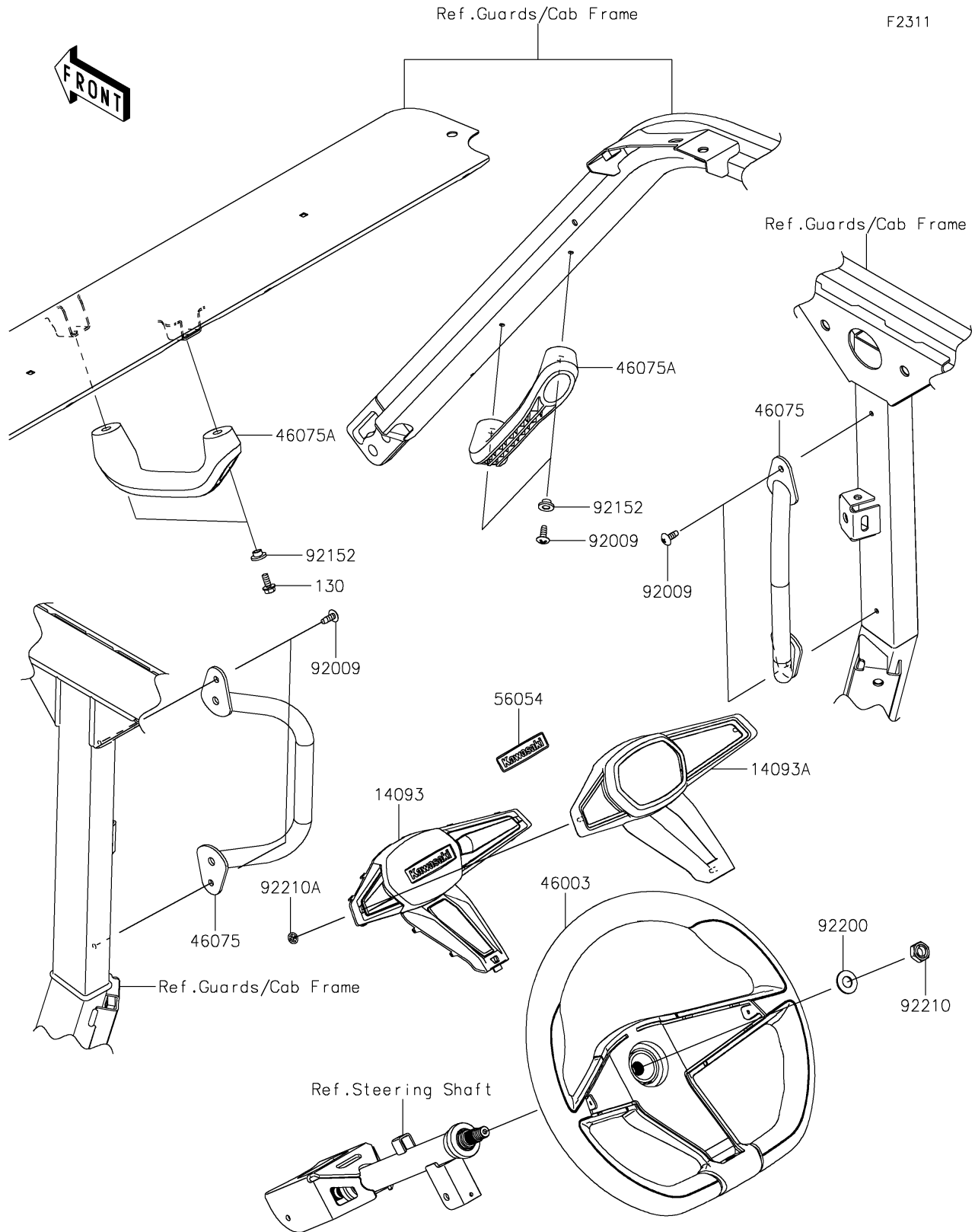


# 2026 RIDGE CREW HVAC

## PARTS DIAGRAM

### Steering Wheel



# 2026 RIDGE CREW HVAC

## PARTS LIST

### Steering Wheel

**ITEM NAME**

**PART NUMBER**

**QUANTITY**

---