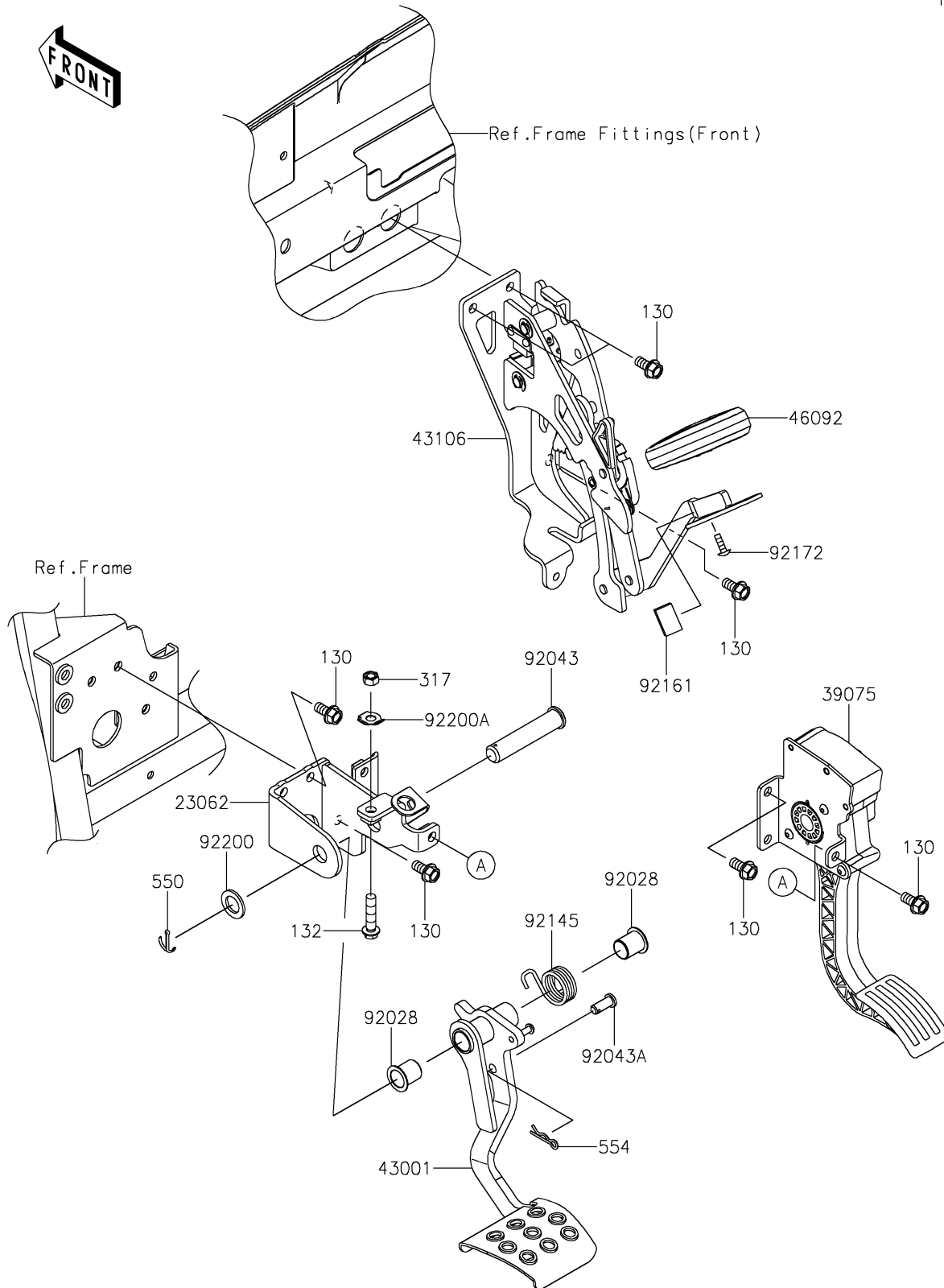


2026 RIDGE® CREW HVAC

PARTS DIAGRAM

Brake Pedal/Throttle Lever

F2260



2026 RIDGE® CREW HVAC

PARTS LIST

Brake Pedal/Throttle Lever

ITEM NAME

PART NUMBER

QUANTITY
