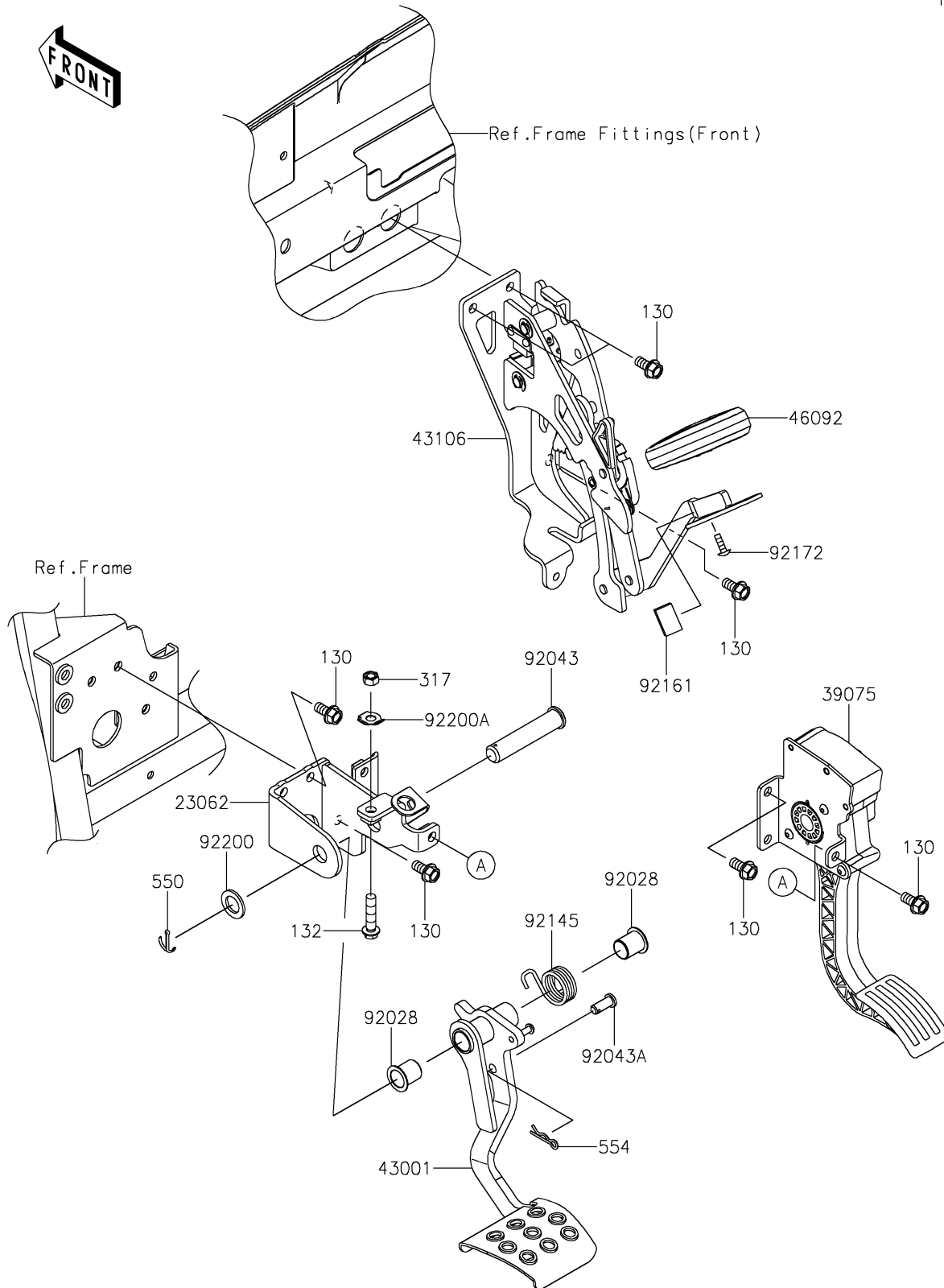


2026 RIDGE® CREW HVAC CAMO

PARTS DIAGRAM

Brake Pedal/Throttle Lever

F2260



2026 RIDGE® CREW HVAC CAMO

PARTS LIST

Brake Pedal/Throttle Lever

ITEM NAME	PART NUMBER	QUANTITY
BRACKET-COMP,BRAKE PEDAL (Ref # 23062)	23062-1443	1
LEVER-THROTTLE (Ref # 39075)	39075-0034	1
LEVER-BRAKE,FOOT (Ref # 43001)	43001-0790	1
LEVER-ASSY-PARKING BRAKE (Ref # 43106)	43106-0015	1
LEVER-GRIP,PARKING (Ref # 46092)	46092-0584	1
BUSHING (Ref # 92028)	92028-1571	2
PIN,16X78 (Ref # 92043)	92043-0917	1
PIN (Ref # 92043A)	92043-1039	1
SPRING (Ref # 92145)	92145-2264	1
DAMPER,24X35X15 (Ref # 92161)	92161-2647	1
SCREW,TAPPING,5X16 (Ref # 92172)	92172-0175	2
WASHER,16X26X2.3 (Ref # 92200)	92200-0043	1
WASHER,8.5X17X0.8 (Ref # 92200A)	92200-0993	1
BOLT-FLANGED,8X16 (Ref # 130)	130BA0816	9
BOLT-FLANGED-SMALL,8X35 (Ref # 132)	132BA0835	1
NUT-HEX-SMALL,8MM (Ref # 317)	317BA0800	1
PIN-COTTER,2.5X25 (Ref # 550)	550AA2525	1
PIN-SNAP,10MM (Ref # 554)	554DA1000	1