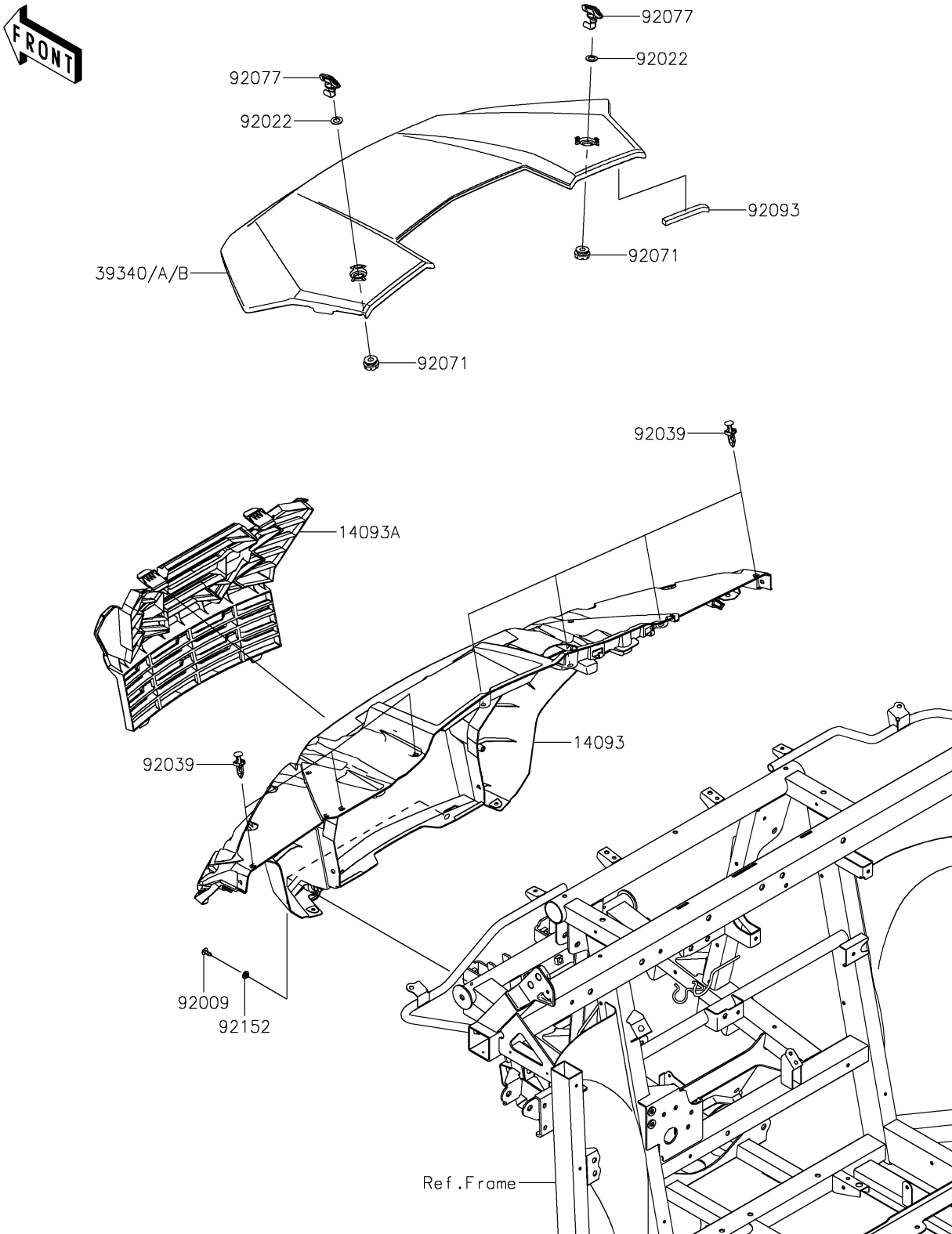


2026 RIDGE® CREW HVAC CAMO

PARTS DIAGRAM

Front Fender(s)

F2171



2026 RIDGE® CREW HVAC CAMO

PARTS LIST

Front Fender(s)

| ITEM NAME | PART NUMBER | QUANTITY |
|---------------------------------------|----------------|----------|
| COVER,FRONT GUARD,BLACK (Ref # 14093) | 14093-1308-6Z | 1 |
| COVER,FR GRILLE (Ref # 14093A) | 14093-1309 | 1 |
| HOOD,CAMOUFLAGE (Ref # 39340) | 39340-0002-72X | 1 |
| HOOD,M.B.GRAY (Ref # 39340A) | 39340-0002-75E | 1 |
| HOOD,M.M.W.BEIGE (Ref # 39340B) | 39340-0002-75J | 1 |
| SCREW,TAPPING,6X16 (Ref # 92009) | 92009-1166 | 2 |
| WASHER,12.5X22X1.2 (Ref # 92022) | 92022-072 | 2 |
| RIVET (Ref # 92039) | 92039-0776 | 7 |
| GROMMET (Ref # 92071) | 92071-0746 | 2 |
| KNOB (Ref # 92077) | 92077-0033 | 2 |
| SEAL,10X10X110 (Ref # 92093) | 92093-0785 | 1 |
| COLLAR,6.3X9.5X4.1 (Ref # 92152) | 92152-1571 | 2 |