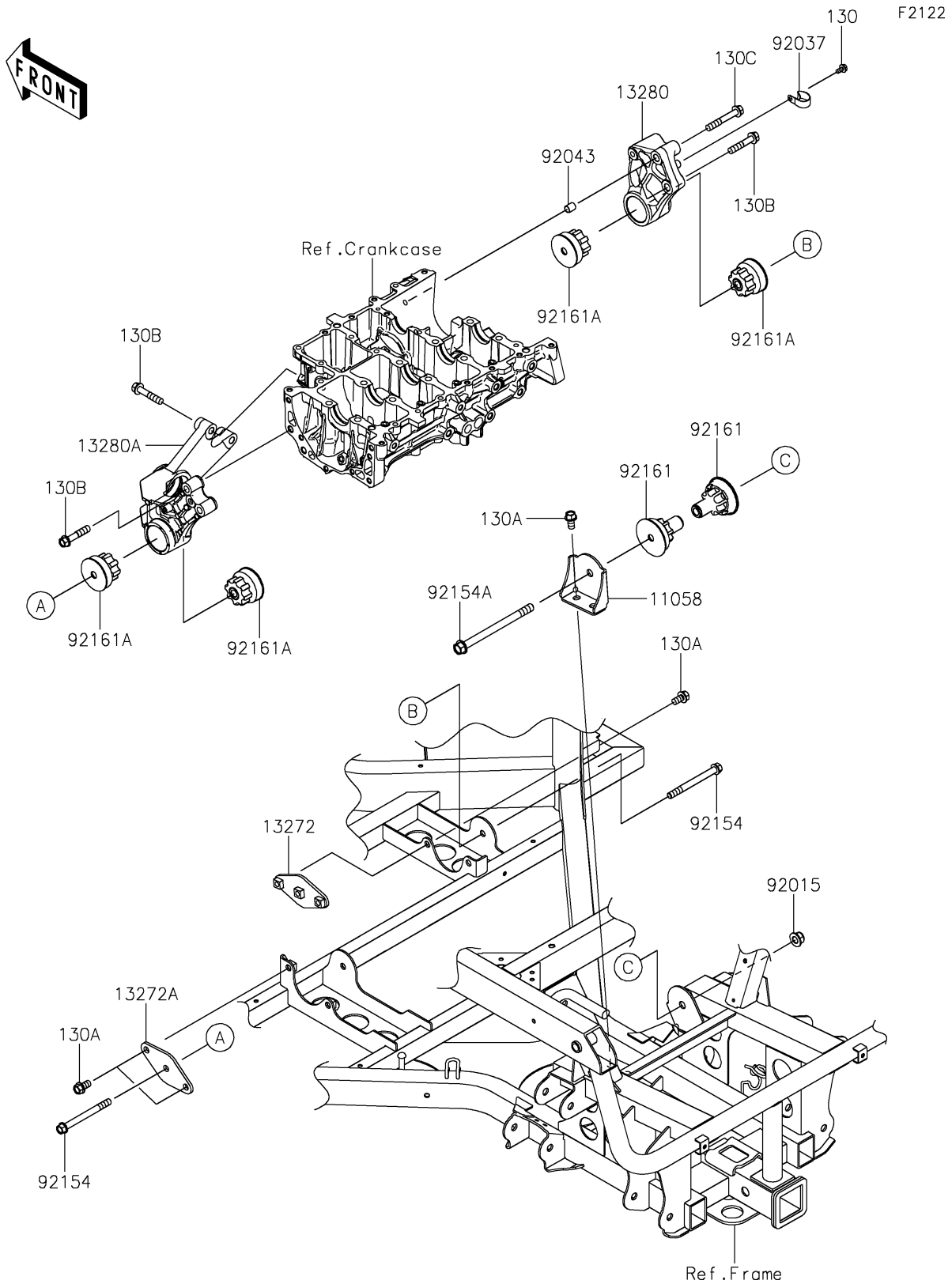


# 2026 RIDGE® CREW HVAC

## PARTS DIAGRAM

### Engine Mount



# 2026 RIDGE® CREW HVAC

## PARTS LIST Engine Mount

ITEM NAME	PART NUMBER	QUANTITY
-----------	-------------	----------

---