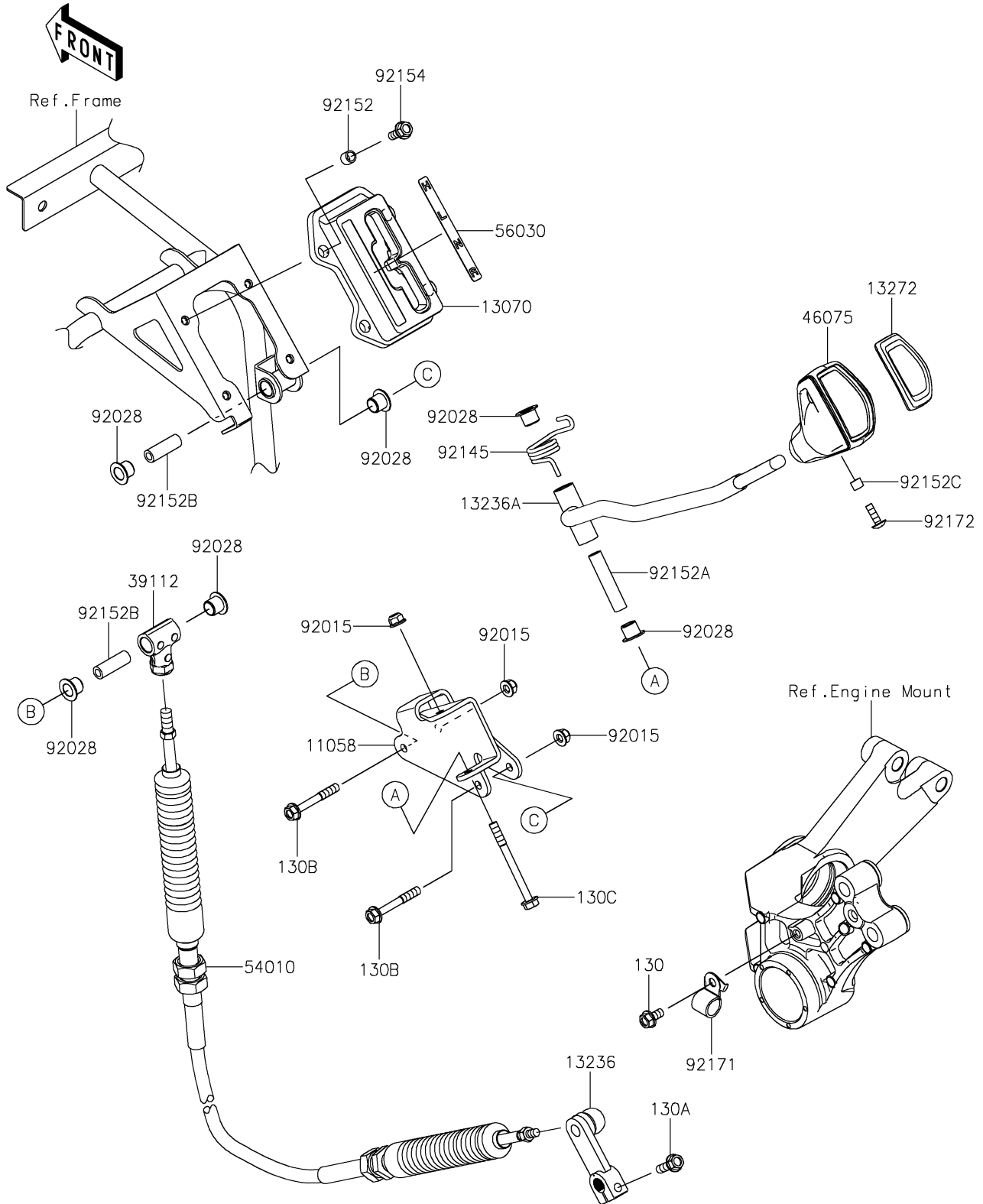


2026 RIDGE CREW HVAC

PARTS DIAGRAM

Control

E7110



2026 RIDGE CREW HVAC

PARTS LIST

Control

ITEM NAME	PART NUMBER	QUANTITY
BRACKET,LEVER (Ref # 11058)	11058-0655	1
GUIDE (Ref # 13070)	13070-1539	1
LEVER-COMP,CHANGE LEVER (Ref # 13236)	13236-0708	1
LEVER-COMP,SHIFT (Ref # 13236A)	13236-0862	1
PLATE,SHIFT GRIP,S.BLACK (Ref # 13272)	13272-7086-839	1
RODEND-TIE (Ref # 39112)	39112-0036	1
GRIP (Ref # 46075)	46075-0669	1
CABLE,SHIFT (Ref # 54010)	54010-0669	1
LABEL,POSITION (Ref # 56030)	56030-1421	1
NUT,LOCK,FLANGED,6MM (Ref # 92015)	92015-1675	3
BUSHING (Ref # 92028)	92028-1507	6
SPRING (Ref # 92145)	92145-2278	1
COLLAR (Ref # 92152)	92152-1332	4
COLLAR,6.0X10X47 (Ref # 92152A)	92152-1517	1
COLLAR,6.0X10X30 (Ref # 92152B)	92152-1518	2
COLLAR (Ref # 92152C)	92152-2939	1
BOLT,FLANGED,6X16 (Ref # 92154)	92154-0887	4
CLAMP (Ref # 92171)	92171-1615	1
SCREW,5X16 (Ref # 92172)	92172-0479	1
BOLT-FLANGED,6X12 (Ref # 130)	130BA0612	1
BOLT-FLANGED,6X20 (Ref # 130A)	130CA0620	1
BOLT-FLANGED,6X45 (Ref # 130B)	130CA0645	2
BOLT-FLANGED,6X65 (Ref # 130C)	130CA0665	1