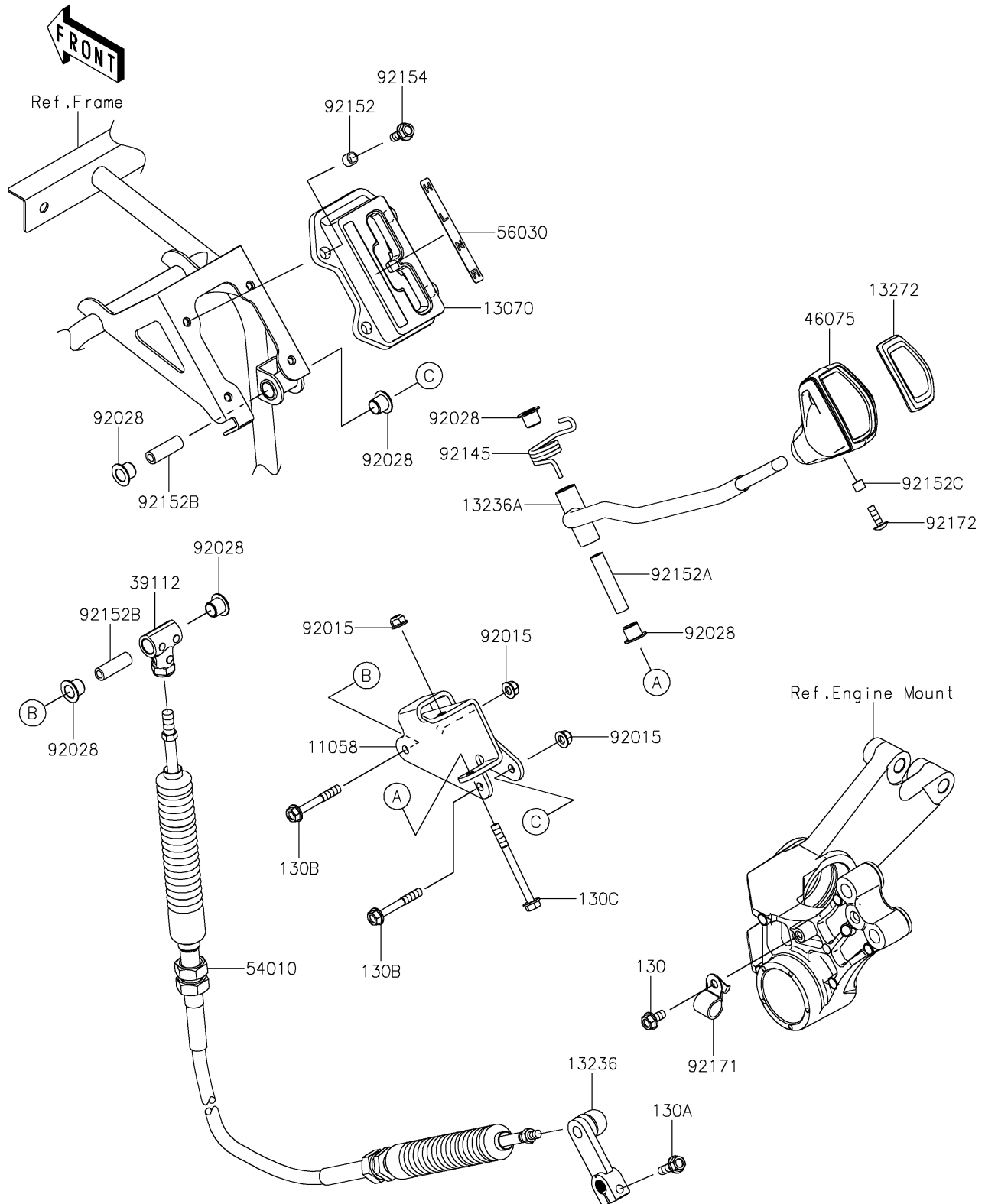


# 2026 RIDGE CREW HVAC Camo

## PARTS DIAGRAM

### Control

E7110



# 2026 RIDGE CREW HVAC Camo

## PARTS LIST

### Control

| ITEM NAME                              | PART NUMBER    | QUANTITY |
|--|----------------|----------|
| BRACKET,LEVER (Ref # 11058)            | 11058-0655     | 1        |
| GUIDE (Ref # 13070)                    | 13070-1539     | 1        |
| LEVER-COMP,CHANGE LEVER (Ref # 13236)  | 13236-0708     | 1        |
| LEVER-COMP,SHIFT (Ref # 13236A)        | 13236-0862     | 1        |
| PLATE,SHIFT GRIP,S.BLACK (Ref # 13272) | 13272-7086-839 | 1        |
| RODEND-TIE (Ref # 39112)               | 39112-0036     | 1        |
| GRIP (Ref # 46075)                     | 46075-0669     | 1        |
| CABLE,SHIFT (Ref # 54010)              | 54010-0669     | 1        |
| LABEL,POSITION (Ref # 56030)           | 56030-1421     | 1        |
| NUT,LOCK,FLANGED,6MM (Ref # 92015)     | 92015-1675     | 3        |
| BUSHING (Ref # 92028)                  | 92028-1507     | 6        |
| SPRING (Ref # 92145)                   | 92145-2278     | 1        |
| COLLAR (Ref # 92152)                   | 92152-1332     | 4        |
| COLLAR,6.0X10X47 (Ref # 92152A)        | 92152-1517     | 1        |
| COLLAR,6.0X10X30 (Ref # 92152B)        | 92152-1518     | 2        |
| COLLAR (Ref # 92152C)                  | 92152-2939     | 1        |
| BOLT,FLANGED,6X16 (Ref # 92154)        | 92154-0887     | 4        |
| CLAMP (Ref # 92171)                    | 92171-1615     | 1        |
| SCREW,5X16 (Ref # 92172)               | 92172-0479     | 1        |
| BOLT-FLANGED,6X12 (Ref # 130)          | 130BA0612      | 1        |
| BOLT-FLANGED,6X20 (Ref # 130A)         | 130CA0620      | 1        |
| BOLT-FLANGED,6X45 (Ref # 130B)         | 130CA0645      | 2        |
| BOLT-FLANGED,6X65 (Ref # 130C)         | 130CA0665      | 1        |